

Centre for Archaeological Fieldwork
School of Archaeology and Palaeoecology
Queen's University Belfast



Data Structure Report: No.10.

Investigations at Ballynashallog, Co. Londonderry
AE/02/54

On behalf of



Data Structure Report: Ballynashallog, County Londonderry

John Ó Néill, Ruth Logue and Dr. Rick Schulting.

(Grid Reference J54745384)

(CAF DSR 010)

(Licence No. AE/02/54)

(SMR No. LDY 14A:010 and LDY14A:011)

Contents	Page
List of Figures	2
List of Plates	2
Summary	3
Introduction	4
<i>General</i>	
<i>Background</i>	
<i>Reason for Excavation and Research Objectives</i>	
<i>Archiving</i>	
<i>Credits and Acknowledgements</i>	
Geophysical and Topographic Survey	12
<i>Geophysical Survey</i>	
<i>Topographic Survey</i>	
Excavation	14
<i>Methodology</i>	
<i>Account of the excavations</i>	
<i>Trench 1</i>	
<i>Trench 2</i>	
<i>Trench 3</i>	
<i>Trench 4</i>	
<i>Trench 5</i>	
<i>Trench 6</i>	
<i>Trench 7</i>	
<i>Trench 8</i>	
<i>Trench 9</i>	
<i>Trench 10</i>	
<i>Trench 11</i>	
<i>Analysis undertaken during the excavations</i>	
<i>Artefactual Dating</i>	
Discussion	22
Recommendations for further work	23
<i>Introduction</i>	
<i>Programme of post-excavation analysis</i>	
<i>Analysis of the Environmental Samples</i>	
<i>Further Excavation</i>	
Bibliography	24
Appendix One: Context List	25
Appendix Two: Harris Matrices	39
Appendix Three: Photographic Record	49
Appendix Four: Field Drawing Register	51
Appendix Five: Small Finds Register	52
Appendix Six: Sample Register	63

List of Figures:

		Page
Figure 1.	Springfield Road location map	6
Figure 2:	Location map to show the archaeological sites surrounding Springfield Road	7
Figure 3.	Springfield Road excavation trenches.	8
Figure 4.	Springfield Road contour survey	9
Figure 5.	Springfield Road excavation trenches overlain upon geophysical survey.	10
Figure 6.	Springfield Road additional geophysical survey.	11
Figure 7.	Plan of Trench 6.	18
Figure 8.	Plan of Trench 10	19

List of Plates

Plate 1.	View of Trench One after excavation.	20
Plate 2.	View of the Trench Four, after excavation.	20
Plate 3.	View of Trench Six, after excavation.	21
Plate 4.	View of degraded schist boulders in Trench Ten, after excavation.	21

1. Summary

- 1.1 The site of the Ballynashallog investigations adjoins the new Thornhill College, at the junction of Springfield Road and Cuilmore Road north-west of Derry City. Previously, substantial evidence of Neolithic occupation was uncovered on the adjacent site during construction of the college (Logue 2000). The proposed development of the location of two cropmark enclosures (recorded in the SMR as LDY14A:010 and LDY14A:011) prompted further investigation in 2002.
- 1.2 The excavations were undertaken by the Centre for Archaeological Fieldwork at Queens University Belfast, with students taking a taught excavations module from the School of Archaeology and Palaeoecology in attendance. An initial weeks excavation included the assistance of pupils from St Oliver Plunkett, Strathfoyle, and Maydown Primary Schools. The excavations were directed by Dr. Rick Schulting and John Ó Néill under licence number AE/02/54.
- 1.3 Following a geophysical survey, topographic survey and excavation were undertaken at the site in July and August 2002 with the aims of ascertaining the character of the site and recording any archaeological remains which would be removed during development.
- 1.3 A total of eleven test trenches were opened on the site, across the location of the cropmarked features and anomalies identified during the geophysical survey. The trenches ranged in size from 5 m by 10 m to 10 m by 20 m.
- 1.4 Little evidence of archaeological activity was identified during the excavations. A small number of sherds of prehistoric pottery and lithics were recovered from topsoil features in Trench 6, while knapping debris was recovered, seemingly *in situ*, in Trench 10 and an extension to Trench 10, denoted as Trench 10A.
- 1.5 On the basis of the 2002 fieldwork, it is clear that the activity identified in the previous excavations did not substantially extend into the area under investigation. The evidence recovered from the 2002 excavations should be seen in its context, adjoining a major Neolithic settlement. On this basis, it is recommended that a programme of post-excavation analysis be undertaken to meaningfully publish the results of the excavation as a short paper and bring the project to completion.

2. Introduction

2.1 General

2.1.1 The following report details the preliminary results of the topographic survey, and archaeological excavation at Ballynashallog, undertaken by the Centre for Archaeological Fieldwork, School of Archaeology and Palaeoecology at Queen's University Belfast in July and August 2002. This programme of work was undertaken on behalf of the Environment and Heritage Service, DOE NI, who funded the survey and excavations.

2.2 Background

2.2.1 The site is located at Springfield Road, Ballynashallog (BNS 02), approximately 5 km north-east of Derry, on a low terrace above the River Foyle (see figure 1 and figure 2). The National Grid Reference for the site is C45722127, and the two relevant SMR numbers are LDY 14A:010 and LDY 14A:011 (aerial photography cropmark sites). It is the scheduled spot for the building of a playing field for the new Thornhill College Grammar School, and is near the site of the previous Thornhill investigations (Logue 2000)

2.2.2 Previously, archaeological investigation of the site was necessitated by the construction of a new grammar school where both a flint scatter (LDY 14A:23) and a pair of cropmark enclosures (LDY 14A:012 LDY 14A:013) had been identified previously. The excavation produced evidence of a palisaded enclosure, structures and substantial occupation debris largely dating to the Neolithic (Logue 2000). This area lies some 400 m to the east of 2002 excavations.

2.3 Reason for Excavation and Research Objectives

2.3.1 The potential of the SMR sites LDY14A:010 and LDY 14A:011 was identified on the basis of the aerial photographic survey and the proximity to the 2000 excavations. As the area of the cropmarks was to be developed as playing fields for the new school, a preliminary programme of geophysical survey by GeoQuest was followed by the opening of trenches across the cropmarks and anomalies identified in the geophysical survey.

2.3.2 The preliminary objective of the investigations was to locate and identify the date and nature of any archaeological materials present on site. As development would potentially lead to the destruction of such materials, preservation would be sought by means of a full record of the controlled excavation of any archaeological features and objects, if deemed appropriate by Environment and Heritage Service: Built Heritage.

2.3.3 In the course of the investigations eleven test trenches were opened across the site (see figure 3) and a full topographic survey was undertaken (see figure 4). The results of the investigations are outlined below.

2.4 *Archiving*

2.4.1 A copy of this report has been deposited with the Environment and Heritage Service, DOE NI. All site records and finds are temporarily archived within the School of Archaeology and Palaeoecology, Queen's University Belfast. Site records, including context sheets, plans and photographic archive, small finds and samples, as retained by the School of Archaeology and Palaeoecology, are listed in the Appendices at the end of this report.

2.5 *Credits and Acknowledgements*

2.5.1 The excavations were directed by John Ó Néill and Rick Schulting and supervised by Ruth Logue. The excavation team consisted of the School of Archaeology and Palaeoecology students undertaking the taught excavations module in 2002. The topographic survey of the site was undertaken by Keith Adams assisted by members of the excavation team. Colm Donnelly supervised the primary school student who participated in the initial weeks excavation.

2.5.2 The illustrations and images included in this report were produced by Keith Adams, Bronagh Murray, Ruth Logue, John Ó Néill and Rick Schulting.

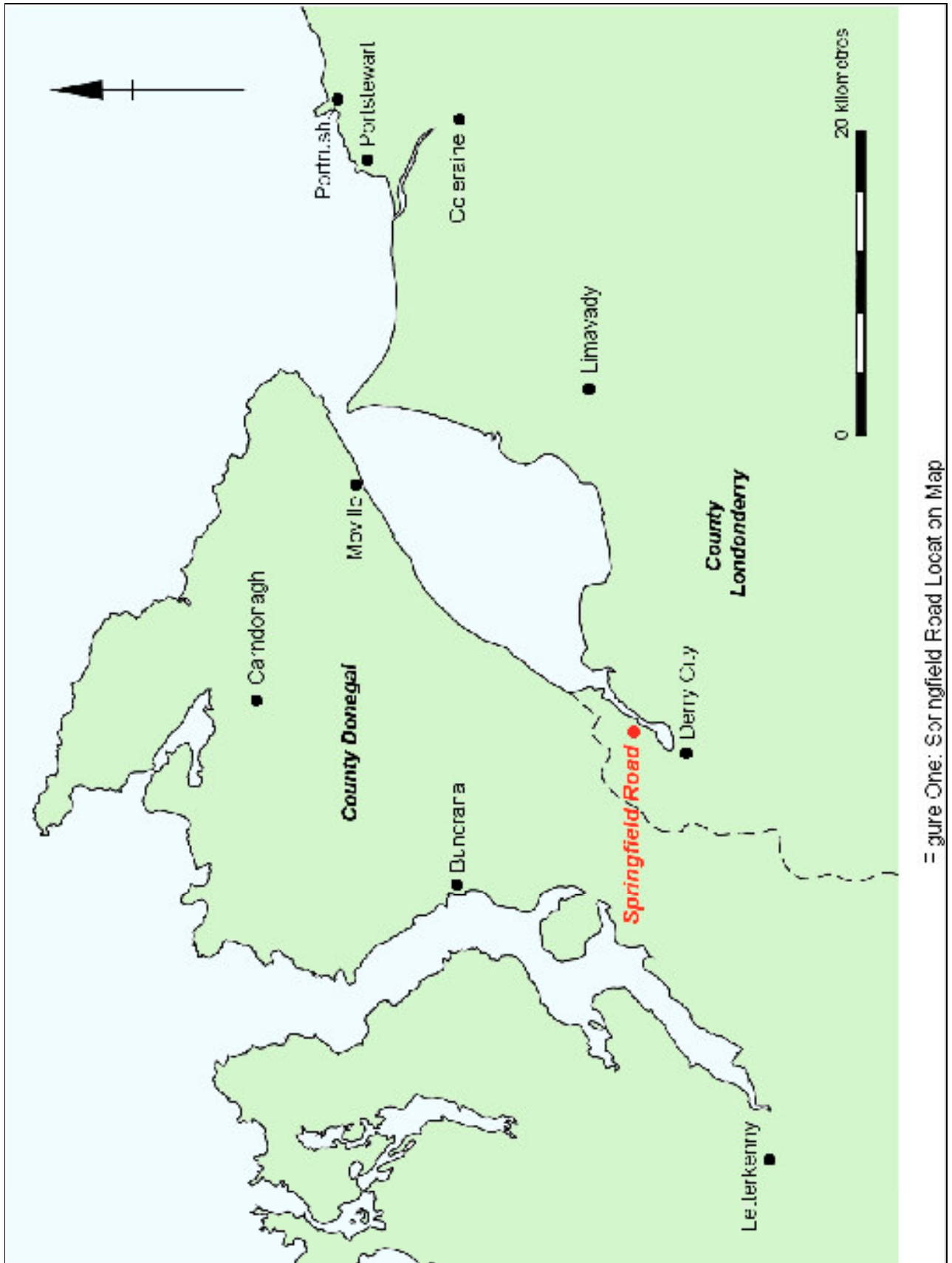
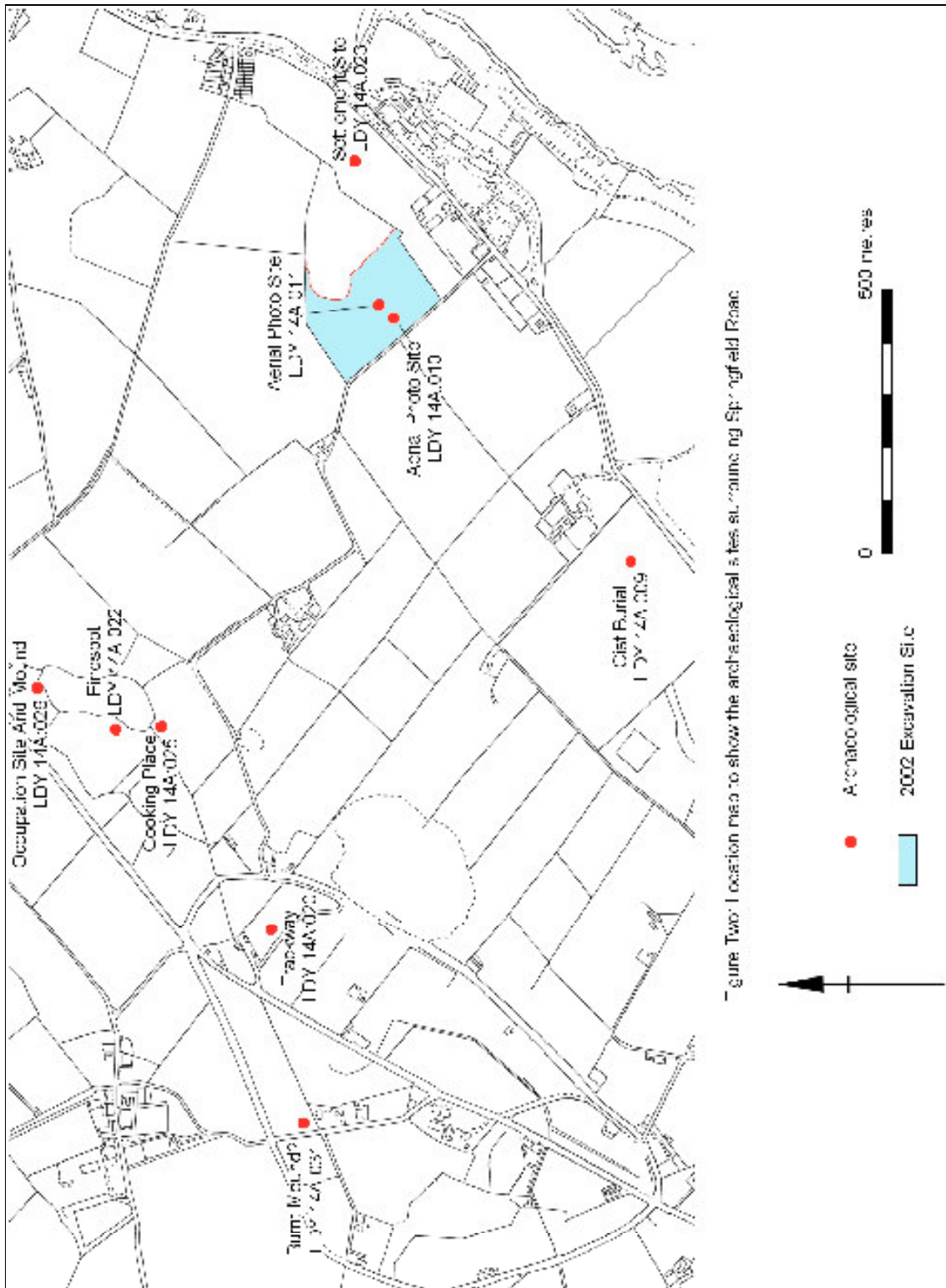


Figure One: Springfield Road Location Map



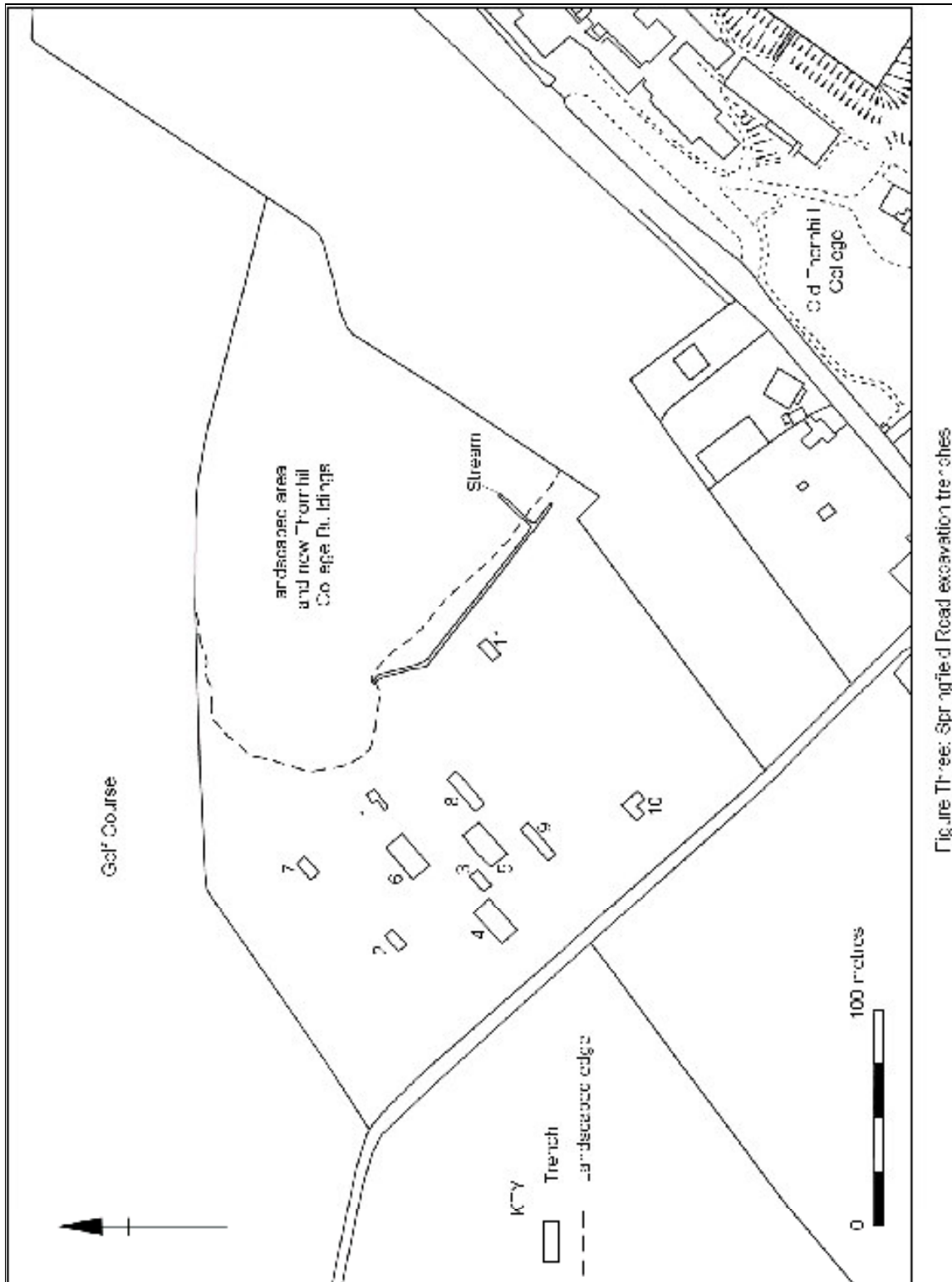


Figure Three: Springfield Road excavation trenches

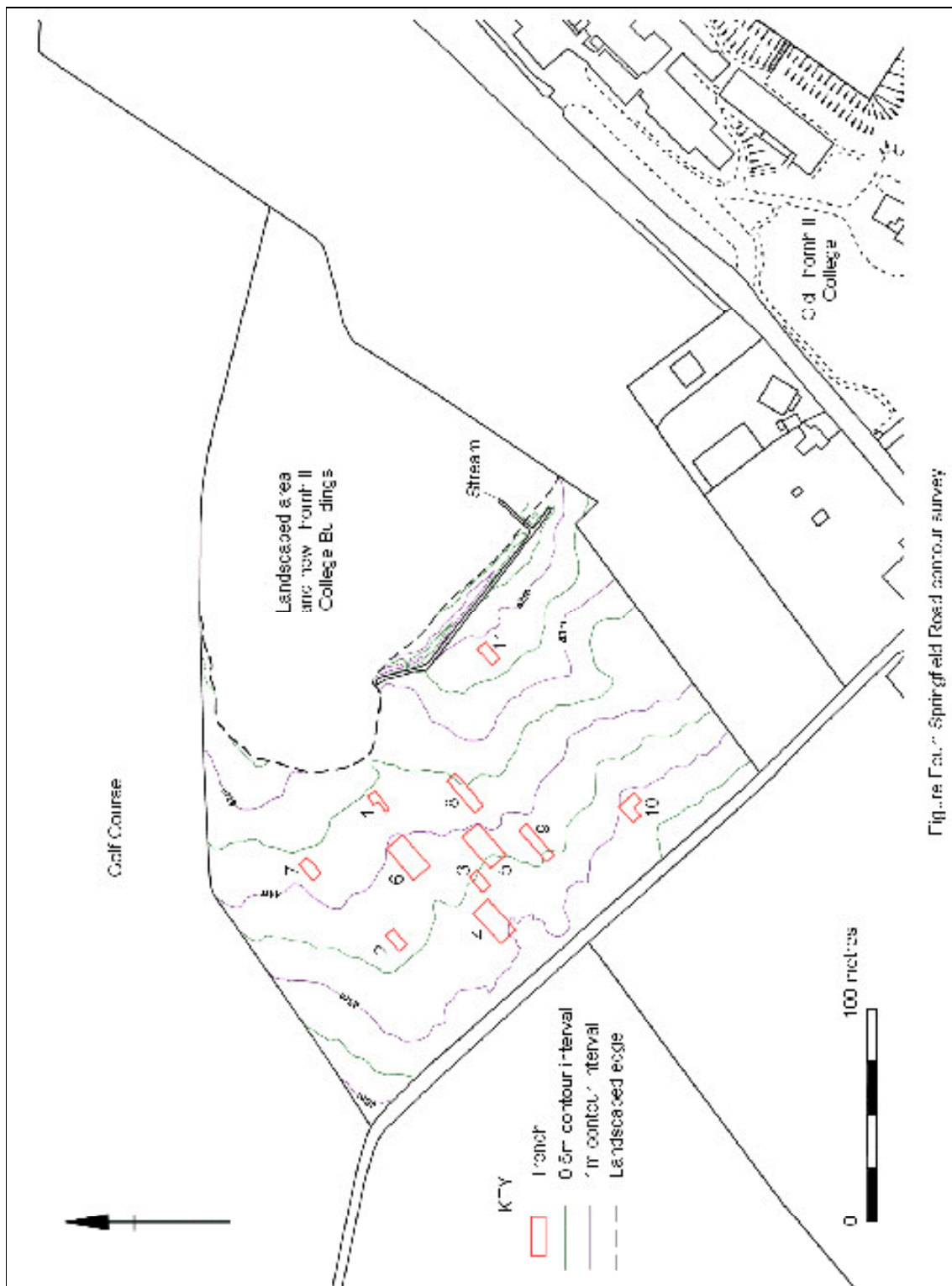


Figure Four: Springfield Road contour survey

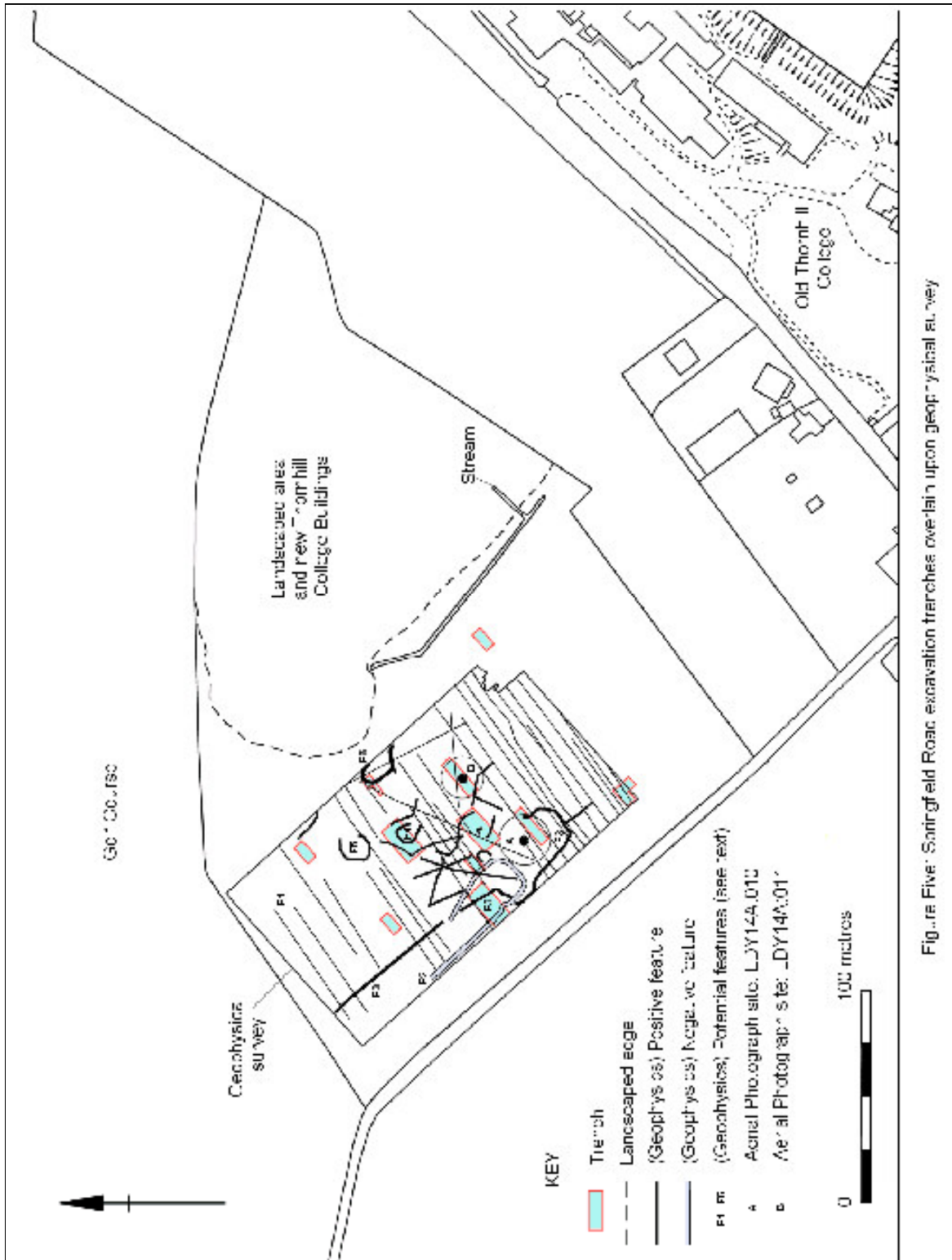


Figure Five: Springfield Road excavation trenches overlain upon geophysical survey

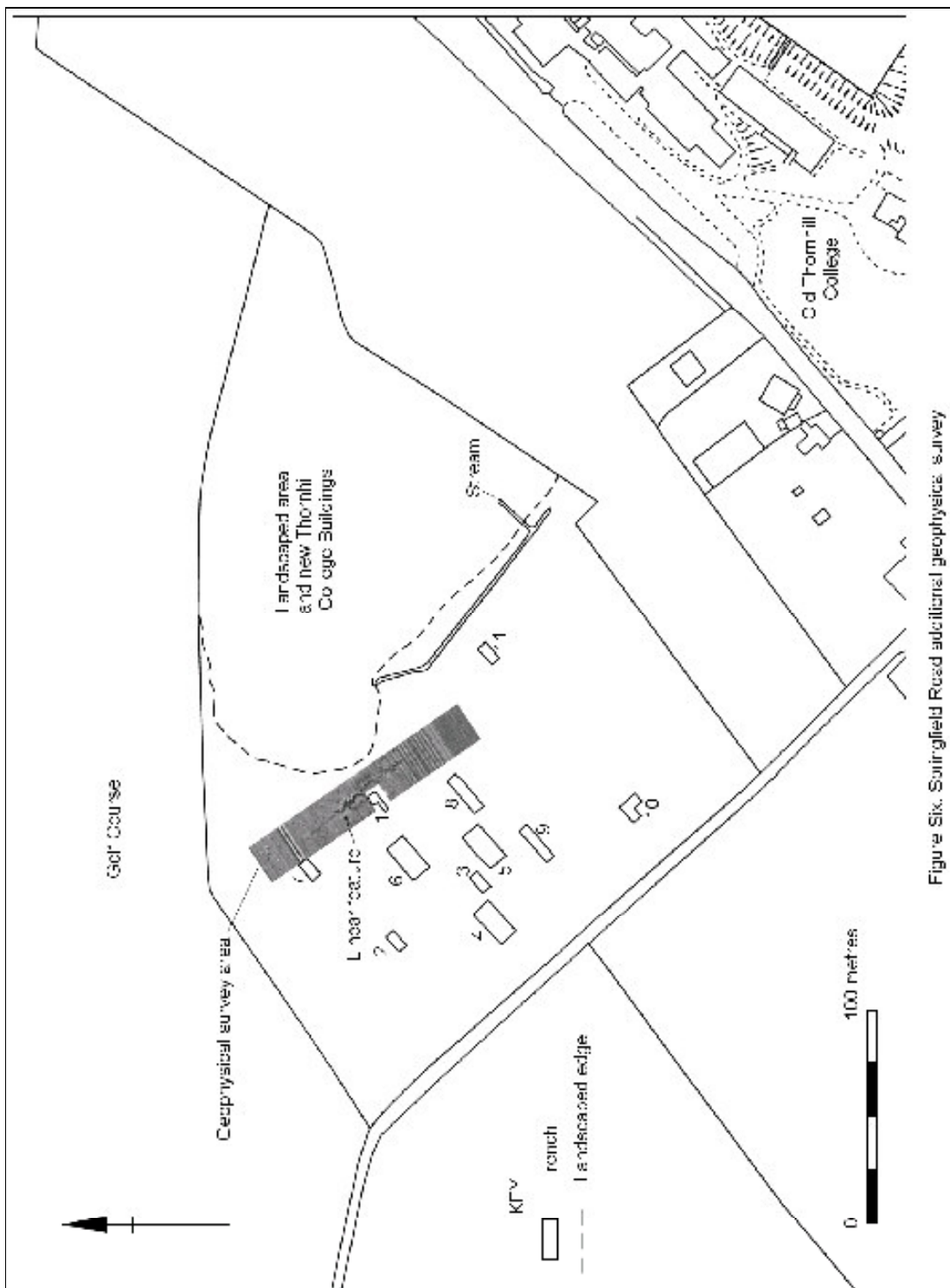


Figure Six. Svingfield Road additional geophysical survey

3. Geophysical and Topographic Survey

Keith Adams and John Ó Néill

3.1 Geophysical Survey

3.1.1 The following text is drawn from a report prepared by GeoQuest Associates for Environment and Heritage Service: Built Heritage and lodged in the Sites and Monuments Record.

3.1.2 On 3 and 4 September 2001 a geophysical survey was carried out on the field where the Springfield Road site was located using a Geoscan FM36 fluxgate gradiometer (see figure 5 for the results of this survey). The aim of the survey was to provide more detailed sub-soil characterisation of possible archaeological features which had been seen as cropmarks in aerial photographs, LDY 14A:010 and 011. The survey was carried out on behalf of the Environment and Heritage Service, DOE NI, by GeoQuest Associates.

3.1.3 In 1997 a geophysical survey of a similar area had been carried out by Archaeological Development Services using a Geoscan RM15 soil resistance meter to measure soil moisture variation. The evidence from this survey suggested that both aerial features were present in the form of ditched enclosures surrounding a central mound or stony area. Traces of other archaeological or geological features were also found to be present in the study area.

3.1.4 The dominant feature to appear in the GeoQuest geophysical images were a set of north-east to south-west orientated positive magnetic lineations, these appearing as dark lines, which were thought to represent ceramic land drains. Other positive magnetic lineations crossing the site in varying orientations were also thought to represent land drains. The frequency with which these drains occurred in the images hindered the extraction of archaeological features from the geophysical data, therefore anomalies interpreted as ditches could just be modern drainage ditches.

3.1.5 The report concluded that the data images contained a large number of linear magnetic anomalies whose presence complicated the archaeological interpretation, but most of which related to land drains. Evidence seemed to suggest that the area contained several soil filled ditches of archaeological interest, but that the conjunction of two or more of these features could account for the appearance of cropmark feature 14A:010. Cropmark feature 14A:011 was not found to be directly related to any specific geophysical anomaly.

3.1.6 Barrie Hartwell of the School of Archaeology and Palaeoecology carried out a further survey of the same area in 2002 (see figure 6 for the results of this survey). This replicated enough of

the results of the GeoQuest survey to facilitate tying the previous survey into the topographic survey grid established on site in 2002.

3.2 *Topographic Survey*

- 3.2.1 The detailed topographic survey of the area around the site was undertaken concurrently with the excavation. The survey was conducted using a TCR705 Leica Total Station. The topographic survey was tied into the Irish National Grid.
- 3.2.2 The survey data was transferred and processed using Leica LISCAD6.0 software. Additional processing of the survey data was undertaken using Surfer 8.0 software.
- 3.2.3 The results of the topographic survey are illustrated as a detailed contour survey showing the location of the excavation trenches (see figure 4). The survey did not reveal any landscape features of archaeological significance.

4. Excavation

4.1 Methodology

4.1.1 Excavation was undertaken by opening eleven test trenches across various geophysical anomalies and cropmark features. Trenches 1, 2 and 3 were opened by manual excavation of the topsoil deposits, while the remainder had their topsoil and sod removed by machine before being cleaned up manually. The extension to Trench 10 was also opened by manual excavation of the topsoil and sod. The layout of the trenches is shown in figures 3, 4 and 5 relative to the topographic and geophysical surveys.

4.1.2 On removal of the topsoil deposit from the trenches, any variations in the underlying soil deposits were cleaned up by trowel and then recorded. Individual features were photographed both prior to, and following, excavation and included in a series of overall plans (Scale 1:20) of the site which were prepared throughout the course of the excavation. Section drawings (Scale 1:20) were undertaken of the exposed archaeological deposits within the drainage ditch (for details of site photography see Appendix Three and for field illustrations see Appendix Four). In addition to the photography and illustration, the principal site records consisted of context sheets augmented by separate registers of small finds (Appendix Five) and samples (Appendix Six).

4.2 Account of the Excavation.

4.2.1 While the vast majority of the excavation trenches did not produce features of archaeological interest, Harris Matrices are included for each trench in Appendix Two. The following sections provide an account of the excavation of each trench.

4.3 Trench 1.

4.3.1 Trench 1 measured 2 m by 6 m and was extended with the addition of a further 5 m by 5m (see Plate 1). It was laid out over geophysical anomaly F6. A series of land drains and plough marks were encountered on removal of the topsoil, which was present to a depth of 0.28 m. Some struck flint and modern finds were recovered from this trench. No features of archaeological interest were noted.

4.4 Trench 2.

4.4.1 Trench 2 measured 5 m by 10 m. It was original opened to investigate geophysical anomaly

F7. A number of plough lines and land drains were encountered on removal of the topsoil, which was present to a depth of 0.28 m. No features of archaeological interest were noted.

4.5 *Trench 3.*

4.5.1 Trench 3 measured 5 m by 10 m. It was laid out over geophysical anomaly F9. A series of land drains and plough marks were encountered on removal of the topsoil, which was present to a depth of 0.22 m. Some struck flint and modern finds were recovered from this trench. No features of archaeological interest were noted.

4.6 *Trench 4.*

4.6.1 Trench 4 measured 10 m by 10 m (see Plate 2). It was laid out over geophysical anomalies F2 and F3. A series of land drains and plough marks were encountered on removal of the topsoil, which was present to a depth of 0.15 m. Some struck flint, struck quartz and modern finds were recovered from this trench. No features of archaeological interest were noted.

4.7 *Trench 5.*

4.7.1 Trench 5 measured 5 m by 10 m. It was laid out over geophysical anomaly F10 and the location of a feature visible, previously, as a cropmark. A land drain was encountered on removal of the topsoil, which was present to a depth of 0.29 m. No features of archaeological interest were noted.

4.8 *Trench 6.*

4.8.1 Trench 6 measured 10 m by 20 m (see Plate 3). It was laid out over geophysical anomaly F4. A series of land drains and plough marks were encountered on removal of the topsoil, which was present to a depth of 0.24 m (see figure 7). Some Neolithic pottery, struck flint and modern finds were recovered from this trench. No features of archaeological interest were noted.

4.9 *Trench 7.*

4.9.1 Trench 7 measured 5 m by 10 m. It was laid out over geophysical anomaly F7. A series of land drains and plough marks were encountered on removal of the topsoil, which was present to a depth of 0.24 m. No features of archaeological interest were noted.

4.10 Trench 8.

4.10.1 Trench 8 measured 5 m by 20 m. It was laid out over a feature previously visible as a cropmark. A series of land drains was encountered on removal of the topsoil, which was present to a depth of 0.25 m. No features of archaeological interest were noted.

4.11 Trench 9.

4.11.1 Trench 9 measured 5 m by 20 m. It was laid out over a feature previously visible as a cropmark. A series of land drains was encountered on removal of the topsoil, which was present to a depth of 0.25 m. No features of archaeological interest were noted.

4.12 Trench 10.

4.12.1 Trench 10 measured 5 m by 10 m and was extended with the addition of a further 5 m by 5 m trench at its south-eastern corner (see figure 8). It was laid out at the point where the site was closest to a flint scatter recorded for the opposite side of Springfield Road (Ian Leitch *pers.comm.*). A series of land drains was encountered on removal of the topsoil, which was present to a depth of 0.23 m. Finds from the topsoil included a hammerstone, flints flakes, retouched flint tools, worked quartz and some modern finds.

A deposit of soil (C134) had formed around some degraded schist boulders towards one end of the trench (see Plate 4). This soil contained a quantity of knapping debris, scrapers and worked quartz. This sealed a layer of charcoal rich soil (F135) measuring 3 m by 1 m and up 50 mm in depth. Finds from Trench 10 accounted for 181 of the pieces of the 194 struck flints recovered during the excavations. Micro-debitage was also recovered from Trench 10, along with a piece of chert and a piece of rock crystal. Unfortunately a clay pipe bowl (find number 10265) from C135 suggests that, while stratigraphically the earliest deposit in the trench, that it too is contaminated.

There was no evidence to suggest that the schist boulders had been intentionally disturbed prior to the excavation and the implication of the materials recovered from Trench 10 suggested a knapping episode of limited duration had taken place at the site.

4.13 Trench 11.

4.13.1 Trench 11 measured 5 m by 10 m. A land drain was encountered on removal of the topsoil, which was present to a depth of 0.25 m. No features of archaeological interest were noted.

4.14 *Analysis undertaken during the excavations.*

4.14.1 Soil samples were taken from a number of contexts in the course of the excavation. On-site wet-sieving of some of the samples was undertaken in order to assess the quality of the materials. The most significant result of the wet-sieving was the identification of micro-debitage from Trench 10, which would be consistent with a knapping episode. As noted above, the majority of the assemblage recovered during the excavation, was recovered from Trench 10. A list of samples retrieved is included as Appendix Six. The nature of the features excavated and the absence of a wider archaeological context for many of the samples, other than from Trench 10, suggests that they may have little intrinsic value for understanding the site.

4.15 *Artefactual Dating.*

A quantity of lithics, pottery and other finds were recovered during the excavation (see Appendix Five). Provisional analysis of the artefacts suggests that, where diagnostic features are present, both the lithics and coarse pottery are most likely Neolithic in date. Some of the finds, such as the struck quartz, are most likely of similar date. A quantity of early modern finds was also recovered during the excavations.

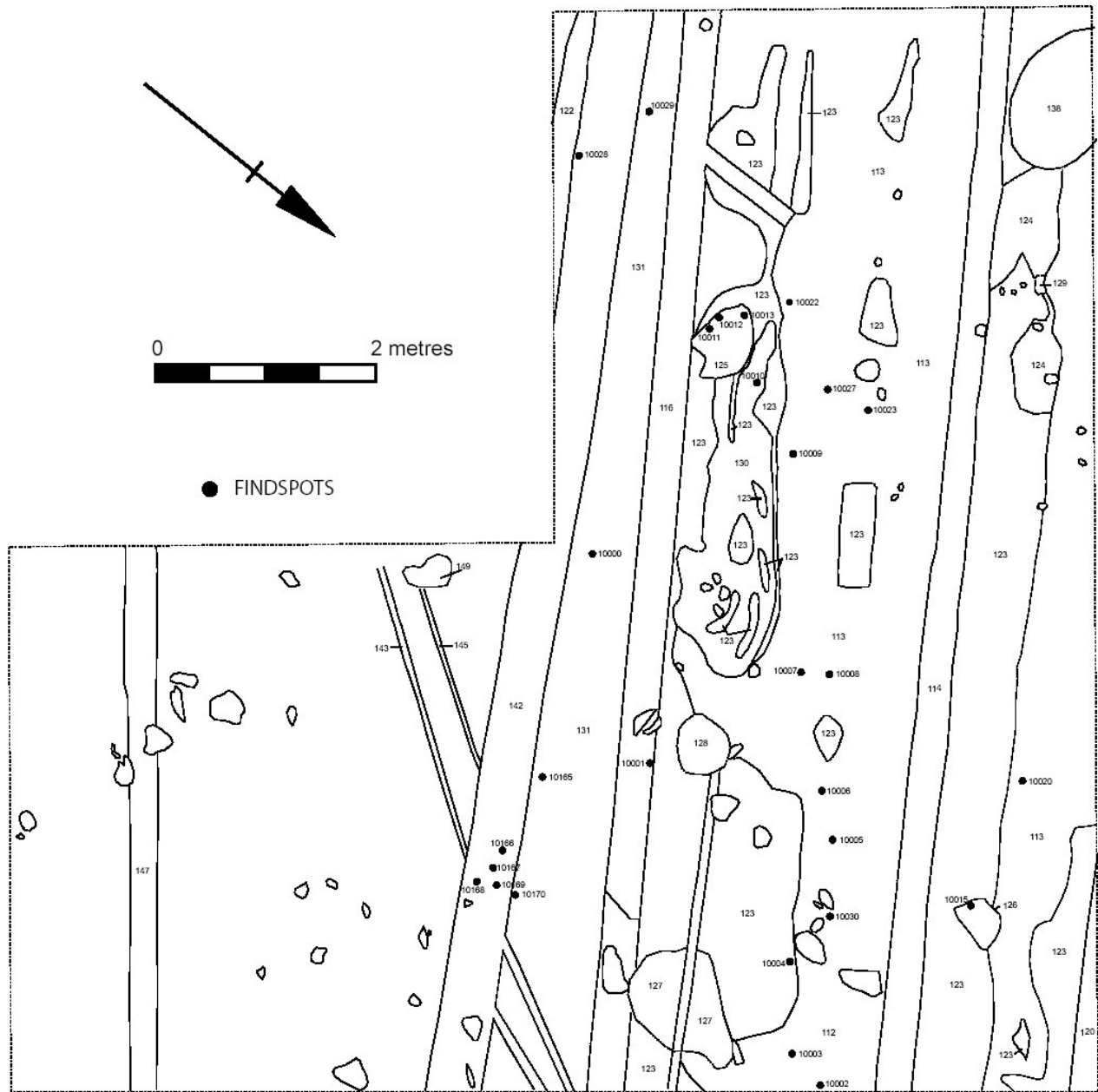


FIGURE 8: PLAN OF TRENCHES 10 AND 10A

Plates

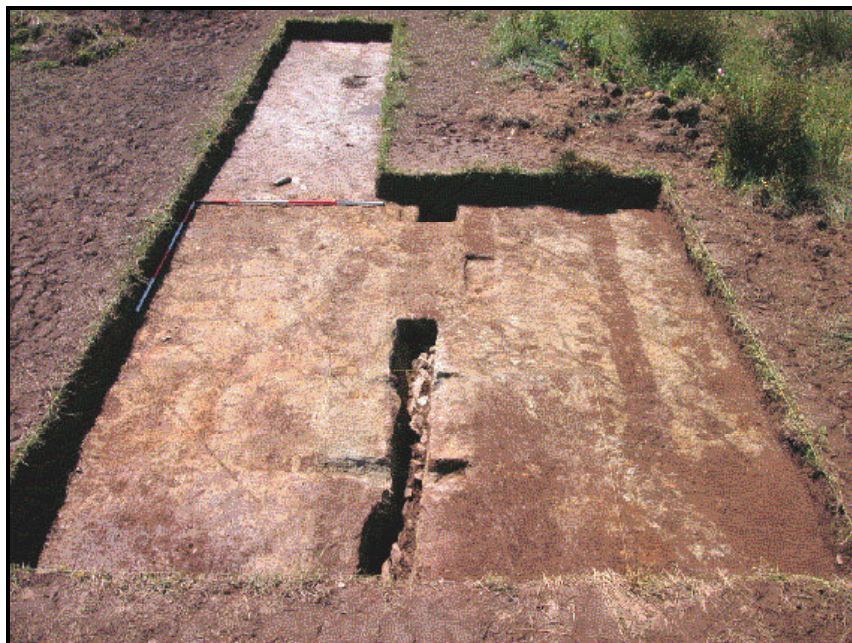


Plate 1: View of Trench One after excavation.



Plate 2: View of the Trench Four, after excavation.



Plate 3: View of Trench Six, after excavation.



Plate 4: View of degraded schist boulders in Trench Ten, after excavation.

5 Discussion

- 5.1 The purpose of this excavation was to evaluate the two crop marked sites LDT 14A:10 and LDY 14A:11 prior to their development. The proximity of the previous finds suggested that related activity may also be present. The geophysical survey undertaken at the site, while it did not clearly identify anomalies consistent with the two putative enclosures, did produce some features worthy of investigation. A topographic survey was undertaken for the area, to provide an adequate base map for any archaeological features.
- 5.2 It became apparent, in the course of the excavation, that few, if any archaeological features were present in the area. The area of the investigations totalled some 862 square metres of the site. The substantial remains that were revealed on removal of the topsoil, consisted of land drains, ceramic pipes and plough marks. There was little evidence of domestic rubbish being added during manuring and the plough marks were, as such, largely undatable since they neither cut features nor produced finds. Where archaeological materials were recovered, such as in Trench 10, there was little other evidence of archaeological activity.
- 5.3 Only one small area that was investigated produced a density of artefacts that suggested some form of archaeological activity, in the form of an accumulation of Neolithic knapping debris around some degraded schist boulders (in Trench 10). Where other small finds were retrieved, they appeared to be of roughly the same date. Most of flints were recovered during the excavation were from this trench and post-excavation analysis will provide further information on all the artefacts recovered and the nature of the knapping episode. A relatively large number of retouched flint implements and microdebitage was recovered from this trench (181 pieces out of a total number for the excavation of 194), and samples taken for flotation may recover more microdebitage. The presence of this microdebitage could suggest that knapping took place in the area. Struck quartz flakes were also found

6 Recommendations for Further Work

6.1 *Introduction*

6.1.1 One principal recommendation for further work on the Ballynashallog project is made below. It is proposed that a programme of post-excavation analysis, including dating, of material recovered during the 2002 excavations should be undertaken. Completion of the post-excavation programme is required to meaningfully publish the excavation and successfully bring the project to completion.

6.2 *Programme of post-excavation analysis of materials recovered during the 2002 excavations.*

6.2.1 Analysis of some of the materials recovered during the 2002 season would need to be undertaken to bring the current project to publication. This would include the lithic assemblage and the small assemblage of sherds of prehistoric pottery. Further processing of soil samples would be required for Trench 10, to identify any further pieces of microdebitage. This may also provide a sample of charcoal to be dated.

6.2.2 The lithic assemblage comprises struck flint, chert and quartz, mainly from Trenches 3, 5, 6, 8, 9 and 10. Another possible fragment of rock crystal was also recovered. Some microdebitage was recovered from topsoil in Trench 10 during the processing of soil sample on site.

6.2.3 The pottery assemblage comprises a small number of sherds from Trench 6.

6.2.4 The presence of a clay pipe fragment (find number 10265) from the earliest context in Trench 10, precludes dating the material due to its prior contamination.

7. Bibliography

Archaeological Development Services 1997 *Ballynashallog, Co. Derry, Geophysical Survey*.
Report to the Environment and Heritage Service, DOE NI.

GeoQuest Associates 2001 *Geophysical Survey Of A Site At Springfield Road, Ballynashallog, Co. Derry*. Report prepared for the Environment and Heritage Service, DOE NI.

Logue, P 2000 *Excavations at Thornhill*. Report prepared for the Environment and Heritage Service, DOE NI.

McSparran, C 1998 *Excavations at Enagh, Co Derry*. Report prepared for the Environment and Heritage Service, DOE NI.

Appendix One: Context list

The contexts listed below by trench. Information not included in the text in sections 4.3 to 4.13, is provided, since in many cases the features were not deemed to be of archaeological significance.

Trench 1*100*

Turf layer, approximately 140 mm deep. Brown 7.5YR 4/3, friable silty clay loam, with 0.1% subangular quartz. Above (101). Finds: flint, modern pottery, quartz, slate, glass, brick, metal, miscellaneous stone, slag.

101

Topsoil layer, between 100 and 280 mm thick. Medium brown 7.5YR 4/3 silty clay loam. Was friable, but compact when moist, with 0.1% subangular/subrounded quartz. Below turf layer and above transitional layer. Finds: flint artefacts, post-medieval and modern pottery including blackware, slate, glass, brick, metal, clay pipe, quartz, one item of miscellany/slag.

102

Transitional layer below topsoil. Medium brown 7.5YR 4/3 and 50 mm thick. Silty clay loam which was friable but compact when wet, and contained 0.1% subangular quartz. Finds: modern pottery, quartz, glass and metal.

103

A layer of dark reddish brown 2.5YR 3/3 friable, below (102). Measuring 4500 mm x 1000 mm, with a minimum thickness of 100 mm which got deeper towards the eastern baulk. Contained 0.5% angular ferric nodules (<2cm); this layer could be iron pan due to soil leaching.

104

Cut of a linear feature running southwest - northeast across extension of trench, measuring 2500 mm x 230 mm, depth 300 mm. In places along the edge of the cut the top fill (105) underlied the natural layer. This feature was found to be a stone lined drainage ditch, stone lining was (106). Parallel to cut (107). Uncertain relationship with (105A) – they transect each other.

105

Top fill of drain (104), above (106). Medium brown 7.5YR 4/3 friable silty clay loam with 0.1% subangular/subrounded quartz. Finds: modern pottery, quartz, a miscellaneous stone.

105A

Possible cut of drainage feature, therefore not excavated. Measuring 5600 mm x 200 mm. Uncertain as to its relationship with (104) – they transect each other. Filled by (105B).

105B

Fill of (105A). Medium brown 7.5YR 4/3 friable silty clay loam, with 0.1% subangular and subrounded quartz.

106

Stones lining base of modern drainage ditch (104), below (105). One piece of modern pottery found among stones.

107

Cut of a shallow linear feature running southwest – northeast from southwest baulk of trench extension for 1800 mm as visible (running into baulk), 290 mm wide. Thought to be a drainage cut, filled by (108), parallel to (104).

108

Fill of drain cut (107). Brown 7.5YR 4/3 friable silty clay loam.

108A

Number given to ploughlines running through Trench 1, of various lengths and widths. Medium brown 7.5YR 4/3 friable silty clay loam.

109

Natural/subsoil, dominant hue 2.5Y 5/4 light olive brown, patches of 10YR 5/6 yellowish brown. Friable silty clay loam, (containing 2% subangular/subrounded quartz). Of indeterminate depth.

Trench 2

200

Turf layer above topsoil, approximately 180 mm deep, brown 7.5YR 4/3 silty clay loam. Finds: modern pottery, quartz, slate, glass, brick and clay pipe.

201

Topsoil layer below (200) and above (202), 100 mm deep. Brown 7.5YR 4/3 friable loam. Finds: modern pottery, quartz, slate, glass, brick, clay pipe and flint.

202

Transitional layer between topsoil and natural, 25 mm deep. Brown 10YR 6/2 friable clay loam: 0.5% subangular grit <5mm. Finds: modern pottery, quartz, slate, glass, brick, metal, clay pipe, and a miscellaneous stone.

203

This layer is the natural subsoil, a light olive grey 10Y 6/2 compact silty clay loam.

204

This cut was not excavated as it was a modern drainage ditch, possible stone lined, possibly ceramic. It ran the entire length of the trench and was 300 mm wide, depth unknown as it was not excavated. Filled by (205).

205

Fill of (204). Dark brown 10YR 3/3 friable clay loam.

206

Cut running length of trench, 300 mm wide, probable stone lined drainage ditch therefore not excavated. Filled by (207), cuts (216).

207

Fill of (206). Dark brown 10YR 3/3 friable clay loam.

208

Twenty-five plough lines running northwest to southeast across the width of the trench, about 6cm wide. Cuts (214) and some appear to cut (204) and (206) but unsure. Unclear stratigraphy with other plough lines (210), (212), (219). Filled by (209). Not excavated.

209

Fill of (208). Dark brown 10YR 3/3 friable clay loam with 0.1% subrounded stone grit <5mm.

210

Plough lines running northeast to southwest across trench for about 2000 mm, 60 mm wide. Filled by (211). Uncertain as to the stratigraphical relationship with (208), (212), (218), (219). Not excavated.

211

Fill of plough lines (210). Dark brown 10YR 3/3 friable clay loam, with 0.1% subrounded stone grit.

212

Plough lines running roughly northeast to southwest across eastern end of trench for up to 3000 mm, 60 mm wide. Filled by (213), uncertain as to the stratigraphical relationship with (208), (210), (221). Not excavated.

213

Fill of (212). Dark brown 10YR 3/3 friable clay loam, with 0.1% subrounded stone grit.

214

Layer measuring 1450 mm x 1100 mm. Dark brown 10YR 3/3 friable clay loam, with 0.1% pieces of subrounded stone/grit. Cut by (208). Not excavated, thought not to be of archaeological interest, probably soil collected in uneven natural. Same as (215), (216), (217), (218); as there were all these patches of the same soil found in this trench it would suggest that they are contemporary with each other and could possibly have been a layer at one stage.

215

Layer measuring 450 mm x 400 mm, see (214). This layer was later excavated and a modern ceramic pipe was found.

216

Layer measuring 840 mm x 840 mm. See (214). Cut by (206).

217

Layer measuring 900 mm x 650 mm. See (214).

218

Layer measuring 1400 mm x 1000 mm. See (214).

219

Plough lines running roughly northeast to southwest; length varies, width is 60 mm. Filled by (220), uncertain relationship with (208), (216), (210). Not excavated.

220

Fill of (219). Dark brown 10YR 3/3 friable clay loam.

221

Drainage ditch running northwest to southeast across width of trench, 300 mm wide. Filled by (222). Not excavated.

222

Fill of (221). Dark brown 10YR 3/3 friable clay loam.

Trench 3

300

Turf layer above (301), 120 mm thick. Finds: modern pottery, quartz, slate, glass, metal, slag, clay pipe.

301

Topsoil layer above (302), 80 mm thick. Finds: modern pottery, quartz, slate, glass, brick, metal, one piece of flint.

302

Transitional layer below (301) and above natural, 20 mm thick. Finds: modern pottery, quartz, slate, glass, brick, metal and a piece of chert.

Trench 4

400

Turf layer, above (401), 150 mm thick.

401

Topsoil layer, below (400), above (402), 100 mm thick.

402

Transitional layer between (401) and natural, 15 mm thick. Finds: modern pottery, quartz, glass, brick, metal, a miscellaneous stone, two pieces of flint (one worked, one not), and a quartz flake scatter.

403

Natural. Olive 5Y 5/4 tenacious sandy clay with 0.1% subangular quartz pebbles (<20 mm). Below (402). Of indeterminate depth.

404

Layer measuring 6500 mm x 2100 mm. Brownish black 7.5YR 3/2 friable silty clay loam, with <0.1% angular quartz. Decided not to be of archaeological interest. Finds: modern pottery and quartz.

405

Fill of plough lines (408). Brown 7.5YR 4/3 friable silty loam.

406

Layers not of archaeological interest. Remnants of (402) in undulating subsoil found in patches across the trench. A possible hammer stone was found in (406).

407

Layer measuring 700 mm x 400 mm, of dark reddish brown 10R 3/3 friable silty clay loam. Thought to be ironpan caused by leaching.

408

Number given to plough line and drainage cuts in Trench 4. 408 plough lines are filled by (405) and drainage cuts by (409). Plough lines are 60 mm wide, drainage cuts 250 mm wide.

409

Fill of drainage cuts (408). Brown 7.5YR 4/3 friable silty loam.

410

A fill of brown 7.5YR 4/3 friable silty loam but with a high charcoal content: 1300 mm long and 900 mm wide. Fill of (412). Possibly fill around undulating subsoil therefore not of archaeological interest. Finds: modern pottery, quartz, metal and quartz fused.

411

Layer measuring 2500 mm x 1900 mm, depth 300 mm. Brownish black 10YR 3/2 friable silty clay loam. High charcoal content, 5%. Possible feature? Finds: modern pottery, quartz and glass.

412

Cut measuring 1300 mm x 900 mm, depth 100 mm. Filled by (410).

413

Cut measuring 600 mm x 450 mm, depth 200 mm. Possible posthole? Filled by (414).

414

Fill of (413), dark brown 10YR 4/3 friable silty clay loam. Fill of (413). Finds: quartz.

Trench 5

500

Turf layer above (501), 160 mm thick.

501

Topsoil layer, below (500) and above (502), 130 mm thick.

502

Transitional layer, below (501) and above natural, 20 mm thick. Finds: modern pottery, quartz, slate, glass, brick, clay pipe, miscellaneous stone, miscellaneous stone/fossil?

503

Cut, extends whole length/width of trench and under baulk on both sides, 325 mm wide, 370 mm deep. Drainage cut. Filled by (505).

504

Either the natural or the ceramic drainage pipe ??

505

Fill, dark brown silty clay mottled with olive clay. Contained 0.5% subangular fragments of rock <15 mm. Fill of (503).

Trench 6

600

Turf layer, above (601), 160 mm thick.

601

Topsoil layer, between (600) and (602), 80 mm thick.

602

Transitional layer between (601) and natural, 15 mm thick. Finds: prehistoric and modern pottery, quartz, slate, glass, brick, metal, clay pipe and both struck and natural flint.

603

Layer, irregularly shaped, 10000 mm wide and at least 15000 mm long (runs under baulk). Very dark brown 7.5YR 2/3 friable silt. Contained fragments of shale and quartz. Cut by (604) and (606). Above (635), (636), and (644). Finds: modern pottery, quartz, glass, brick, metal, a plastic button, slag, miscellaneous stone and worked flint.

604

Modern drain cut measuring 10000 mm x 300 mm. Cuts (603), (605), (606), (618), (620) filled by (607).

605

Modern drain cut measuring 8600 mm x 250 mm. Cut by (604), intersects with (606) – unclear which cuts which, filled by (608).

606

Modern drain cut measuring 7000 mm x 300 mm. Cut by (604), intersects with (605), cuts (603), filled by (609).

607

Fill of drain cut (604). Olive yellow 5Y 6/3 compact sandy clay loam.

608

Fill of drain cut (605). Dark reddish brown 5YR 3/2 silty loam. Same as (609) and (625). Finds: quartz.

609

Fill of drain cut (606). Dark reddish brown 5YR 3/2 silty loam. Same as (608) and (625).

610

Natural, of indeterminate depth. Olive yellow 5Y 6/3 compact sandy clay loam.

611

Natural – patches of this scattered throughout (610), most likely to be a result of iron oxidation. Strong brown 7.5YR 5/8 moderately cohesive silty clay loam. Of indeterminate depth.

612

Cuts of modern plough lines. Filled by (613)

613

Fill of modern plough lines. Fill of (612).

614

Fill measuring 250 mm x 250 mm. Dark brown 7.5YR 3/2 friable silty loam containing small pebbles. Same as (615) and (616).

615

Area of fill measuring 800 mm x 800 mm. See (614).

616

Area of fill measuring 1300 mm x 600 mm. See (614).

617

Drainage cut filled by (625), measuring 2800 mm x 250 mm. Uncertain as to relationship with (603).

618

Fill measuring 1200 mm x 400 mm, dark brown 7.5YR 3/2 clay loam. Cut by (604).

619

Fill measuring 200 mm x 200 mm before running under baulk. Dark brown 7.5YR 3/2 silty loam.

620

Fill measuring 400 mm x 240 mm. Dark brown 7.5YR 3/2 silty loam. Same as (621) and (622). Cut by (604).

621

Fill measuring 260 mm x 200 mm. Same as (620) and (622).

622

Fill measuring 260 mm x 200 mm. Same as (620) and (621).

623

Fill measuring 80 mm x 80 mm. Same as (620) but with charcoal flecks.

624

Fill measuring 60 mm x 30 mm. Same as (623).

625

Dark reddish brown 5YR 3/2 friable silt. Fill of drainage cut (617), same as (608) and (609).

626

Fill measuring 1500 mm x 650 mm. Very dark brown 7.5YR 2/3 friable silt with 0.1% quartz <15mm, same as (630), (631).

627

Fill measuring 470 mm x 300 mm. Very dark brown 7.5YR 2/3, same as (628), (629), (632).
Uncertain relationship with (633).

628

Fill measuring 200 mm x 150 mm. Same as (627), (629), (632).

629

Fill measuring 400 mm x 200 mm. Same as (627), (628), (632).

630

Fill measuring 800 mm x 790 mm. Same as (626), (631). Uncertain relationship with (633).

631

Fill measuring 350 mm x 350 mm. Same as (626), (630).

632

Fill measuring 1600 mm x 1500 mm. Same as (627), (628), (629). Uncertain as to relationship with (633).

633

Plough lines, filled by (634). Uncertain as to relationship with (627), (630), (632).

634

Fill of (633). Very dark brown 7.5YR 2/3 friable silt.

635

Iron pan. Below (603), above (644). – Plan O

636

Charcoal. Below (603). – Plan O

637

Layer measuring 460 mm x 440 mm. Yellowish brown light 10YR 5/3 friable sandy clay.
Possibly a natural pocket.

638

On Plan O as white ash layer measuring 470 mm x 200 mm. Light greyish 10YR 7/1 loose fine sand.

639

No context sheet. Sand. – Plan O. Modern.

640

Cut – on Plan O. Modern.

641

Cut – on plan O. Modern.

642

Cut - on plan O. Modern.

643

Fill – on plan O. Modern.

644

Layer 400 mm long. Dark greyish brown 10YR 3/3 tenacious clay. Below (635) and (603). Above (637).

Trench 7

700

Turf layer, above (701).

701

Topsoil layer, below (700) and above (702).

702

Transitional layer below (701) and above natural. Dark reddish brown 5YR 3/2 friable loam.

703

Light olive brown 2.5Y 5/4 with 0.2% angular schist. Natural patches of orange staining possibly caused by iron pan. Cut by (706), below (708), (709), (711).

704

Cuts of two modern drainage ditches, excavated. Filled by (705).

705

Dark reddish brown 5YR 3/3 friable silty loam with 0.1% angular quartz. Fill of (704).

706

Modern plough line cut, measuring 1500 mm x 60 mm, depth unknown as was not excavated. Filled by (707), cuts (703) and (718).

707

Dark reddish brown 5YR 3/3 friable silty loam with 0.1% sub-angular quartz. Fill of (706).

708

Layers of very dark brown 10YR 2/2 friable silt, measuring from 200 mm x 200 mm to 4750 mm x 300 mm (and 400 mm deep where excavated), patches throughout trench. Above (703) and (719), uncertain relationship with (715). Finds: modern pottery, quartz, glass, brick and flint.

709

Three patches of a layer of dark reddish brown 5YR 3/2 friable silt loam with 0.1% sub-angular quartz. Length undeterminable as all 3 run under baulks (up to 3.15 m measurable), depth unknown as features not excavated. Above (703), cut by (716), similar colour to (710).

710

Layer measuring 3000 mm x 700 mm, depth unknown as feature was not excavated. Dark reddish brown 5YR 2/2 friable silt with 0.1% angular quartz. Cut by (715), layer of similar colour to (709). Uncertain relationships with (708), (711).

711

Layer measuring 3100 mm x 400 mm, depth unknown as layer not excavated. Dark brown 10YR 2/4 friable silt with 0.1% angular quartz. Above (703) and (719). Uncertain relationships with (710), (715).

712

Pale yellow 2.5Y 7/4 friable clay with 0.1% angular quartz. Fill of (714), above (719).

713

Layer measuring 6200 mm x 800 mm, 90 mm deep. Very dark brown 10YR 2/2 friable silty clay loam, with 0.1% angular quartz and 0.2% charcoal. Red patches visible, possibly iron oxidation; and a patch of ashy soil. Overlies (719).

714

Cut of drainage feature measuring 2700 mm x 300 mm, 260 mm deep. Filled by (712), cuts (718).

715

Layer measuring 900 mm x 300 mm, 140 mm deep. Dark brown 10YR 3/3 with 0.1% sub-angular quartz. Above (719), uncertain relationship with (708) and (711).

716

Cut of stone lined drainage ditch measuring 10000 mm x 500 mm, 250 mm deep. Filled by (717), cuts (709).

717

Fill of (716). Dark brown 10YR 2/2 friable silt with 0.1% sub-angular quartz. Above (719) and (720).

718

Subsoil layer measuring 20000 mm x 3500 mm. Medium dark brown 10YR 5/4 silty loam. Above (719).

719

Layer of olive grey sand 5Y 4/2. 4000 mm long and 200 mm deep, width unknown. Below (708), (711), (712), (713), (715), (717) and (718).

720

Layer of stones at base of drain (716), below (717).

Trench 8

800

Turf layer, above (801), 280 mm thick. Brown 7.5YR 4/3 friable silty clay loam.

801

Topsoil layer, between (800) and (802), 50 mm thick. Medium brown 7.YR 4/3 friable silty clay loam.

802

Transitional layer between (801) and natural/features. Finds: Modern pottery, quartz, glass, metal, clay pipe.

803

Layer of dominant hue light olive brown 2.5Y 5/4 with patches of yellowish brown 10YR 5/6. Friable silty clay loam with 2% subangular/subrounded quartz. This was a natural layer with ferric rock and patches of iron staining; dispersed patches occur elsewhere – colour is reddish brown 5YR 4/8.

Trench 9

No context sheets for Trench 9 Nothing of archaeological interest was noted in this trench.

Trench 10

110

Turf layer, above (11), 100 mm thick.

111

Topsoil layer between (110) and (112), 120 mm thick. Finds: struck flint, a possible hammer stone and clay pipe.

112

Transitional layer between (111) and natural/features; 20 mm thick. Above (133) and contains (132). Finds: modern pottery, quartz and worked quartz, slate, glass, brick, iron, flint – worked, unworked and burnt, burnt bone fragments, clay pipe, possible hammer stone.

113

Two layers extending length of trench, up to 2400 mm wide. Dark reddish brown 5YR 3/2 friable silty clay loam. Cut by (114), above (139) and (123) natural. Finds: struck flint and worked quartz.

114

Cut of drainage ditch measuring 9820 mm x 250 mm, depth unknown as unexcavated. Filled by (115), cuts (113) and (124).

115

Bright brown 7.5YR 5/8 mottled with dark reddish brown 5YR 3/2 fill, friable silty clay loam, with 0.1% grit. Fill of (114), same as (131).

116

Drainage cut measuring 9900 mm x 250 mm. Filled by (117), uncertain relationship with (131).

117

Dull reddish brown 5YR 4/4 friable silty loam, slightly gritty. Fill of (116).

118

Probable drainage cut measuring 5800m x 500 mm. Filled by (119). Uncertain relationship with (131). This cut continues as (141) in Trench 10A.

119

Dull reddish brown 5YR 4/4 friable silty loam fill with 0.1% grit. Fill of (118), fill continues as (142) in Trench 10A.

120

Probable drainage cut, only visible for 2860 mm x 280 mm. Filled by (121).

121

Dull reddish brown 5YR 4/4 friable silty loam, slightly gritty. Fill of (120).

122

Layer measuring 3000 mm x 220 mm, dark reddish brown 5YR 3/2 friable silty clay loam with small pieces of grit (0.1%).

123

Natural layer, dark grey yellow 2.5Y 5/2 compact silty clay with 0.1% grit.

124

Irregularly shaped layer measuring 2240 mm x 600 mm. Greenish grey 10GY 6/1 loose sandy clay, with 2% charcoal. Same as (125), contains/cut by (129), cut by (114).

125

Same as (124) although measures 630 mm x 560 mm. Finds: 3 pieces of struck flint (10011, 10012, 10013).

126

Layer measuring 450 mm x 400 mm. Patch of black colouration with 20% charcoal pieces and black staining mottled with natural (123). Same as (127), (128), (129). Finds: a piece of worked flint (10015).

127

Layer measuring 1100 mm x 800 mm. Same as (126), (128), (129). Cut by plough line (unnumbered).

128

Layer measuring 500 mm x 500 mm. Same as (126), (127), (129).

129

Layer measuring 200 mm x 100 mm. Same as (126), (127), (128). Within/cuts (124).

130

Layer measuring 3300 mm x 900 mm. Dark reddish brown 10R 3/3 friable sandy clay loam. Contains 2% charcoal; patches of natural (123) showing through. Finds: flint flake (10010).

131

Layer measuring 10000 mm x 300 mm. Bright brown 7.5YR 5/8 mottled with dark reddish brown 5YR 3/2, friable silty clay loam, with 0.1% grit. It is the fill between two drainage cuts, and could possibly be a drainage cut itself – uncertain relationship between it and cuts (116) and (118). Finds: Flint (10029).

132

Olive/Dull yellow orange 10YR 6/3 compact silty clay fill. Patches of redeposited natural within (112). Above (133).

133

Mottled fill: yellowish brown 10YR 5/6 and dull yellow 2.5Y 6/3 silty clay. Contained large stones (up to 360 mm long). It is probably natural stained by surrounding stones. Below (112) and therefore (132), above (150). Finds: worked and unworked flint, worked and unworked quartz.

134

Layer of mottled light grey 10YR 8/1 and dark brown 10YR 3/3. Layer was 30 to 70 mm deep. Above (135). Finds: struck flint, worked and unworked quartz.

135

Charcoal layer measuring 3000 mm x 1000 mm, 5 to 25 mm deep. Mixed charcoal stained black and black 7.5YR 2/1. Above (134). Finds: a flint flake, struck quartz, clay pipe.

136 – cancelled

137

Olive brown 2.5Y 4/3 friable clay loam. Fill of (138), below (139).

138

Cut 1490 mm x 1000 mm; 250 mm deep after removal of (112). Possible pit cut. Filled by (113), (137) and (139).

139

Greyish brown 7.5YR 4/2 friable silty loam. A fill of (138), below (113) and above (137). Finds: struck flint.

140 – cancelled

Trench 10A (extension to Trench 10)

110

Same as in Trench 10.

111

Same as in Trench 10. Finds: modern pottery, quartz, slate, glass, brick, metal, flint.

112

Same as in Trench 10. Finds: modern pottery, quartz and worked quartz, quartz and rock crystal(10157), slate, glass, brick, metal, clay pipe, flint – worked, unworked, heat shattered, burnt; chert, burnt bone fragment.

141

Continuation of Cut (118) in Trench 10, measuring 5000 mm x 500 mm. Filled by (142), uncertain relationship with (143) and (145).

142

Continuation of Fill (119) in Trench 10. Fill of (141).

143

Cut of plough line, filled by (144).

144

Fill of (143).

145

Cut of plough line, filled by (146), cut by (149).

146

Fill of (145).

147

Cut of drainage feature, filled by (148).

148

Fill of (147).

149

Layer of charcoal measuring 480 mm x 280 mm. Cuts (145).

150

Fill of yellowish brown 2.5Y 5/3 mottled with yellowish brown 10YR 5/6 compact silty clay loam. Below (133).

Trench 11

1100

Turf layer, above (1101).

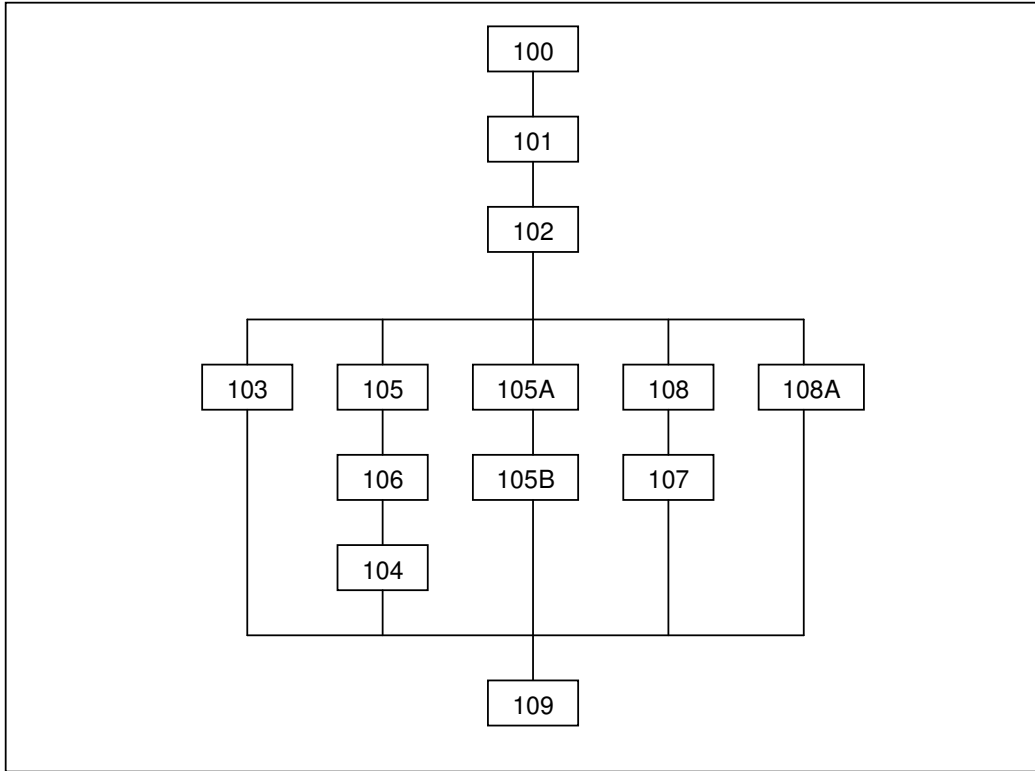
1101

Topsoil layer, below (1101) and above (1102).

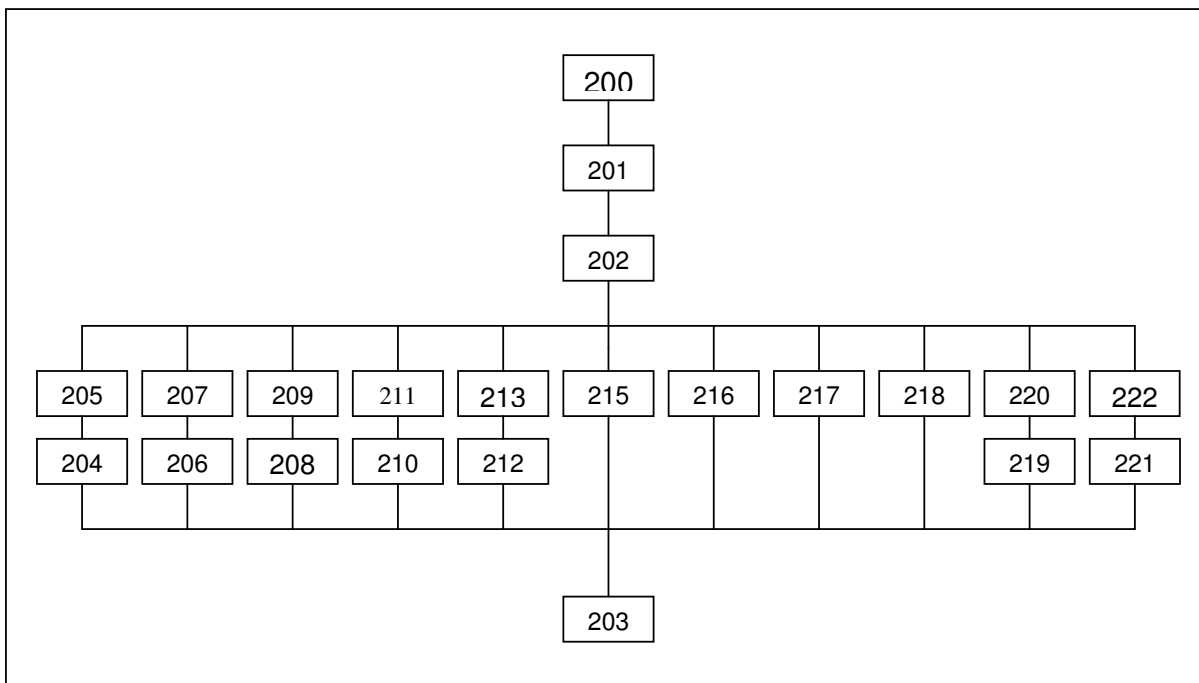
1102

Transitional layer between (1101) and natural. Finds: modern pottery, quartz, slate, glass, brick, clay pipe, flint.

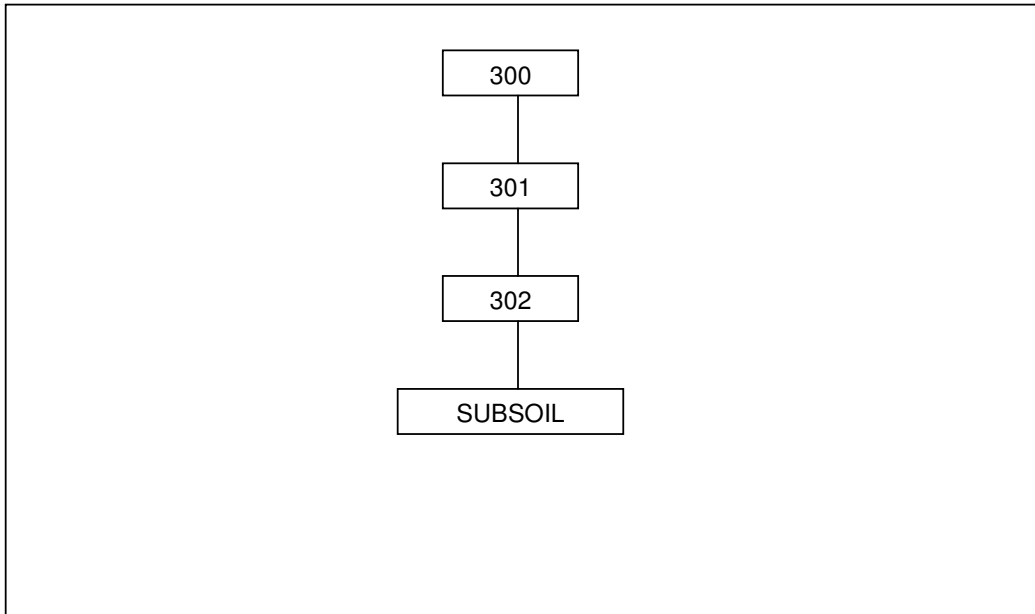
Appendix Two: Harris Matrix



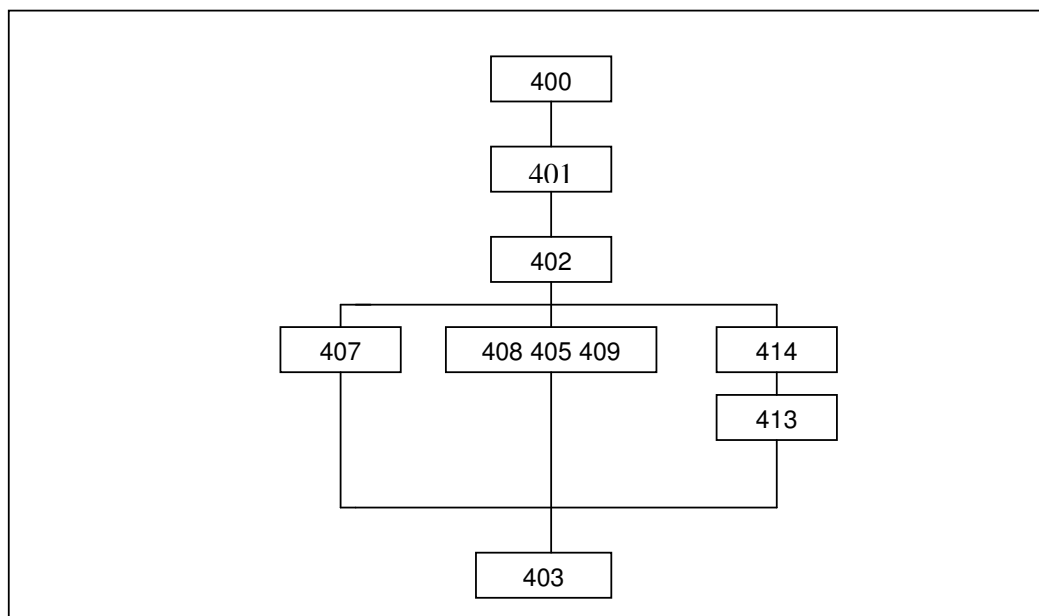
Trench one matrix.



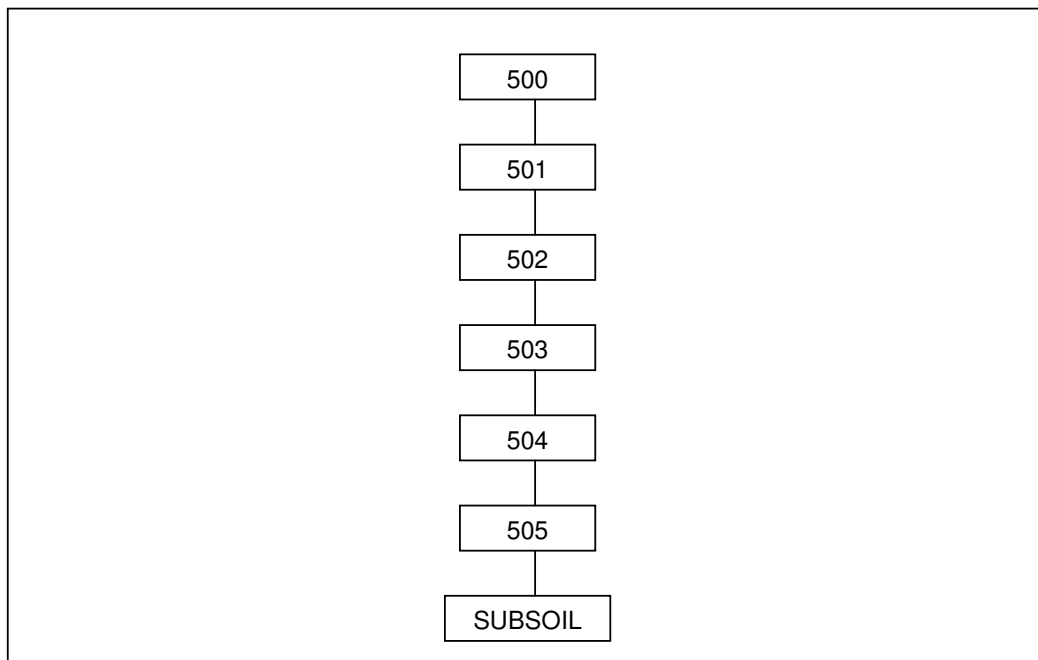
Trench two matrix.



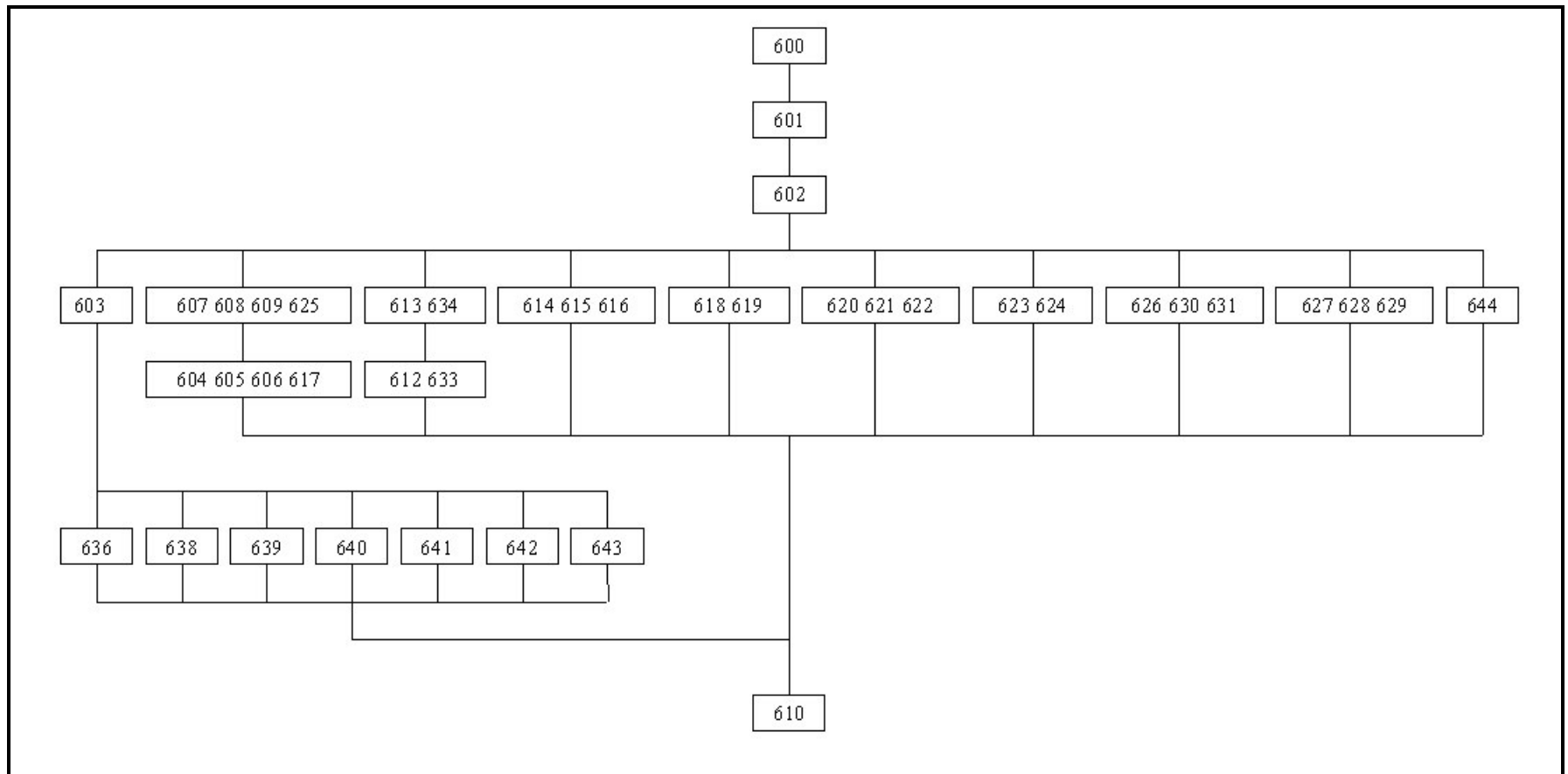
Trench three matrix.



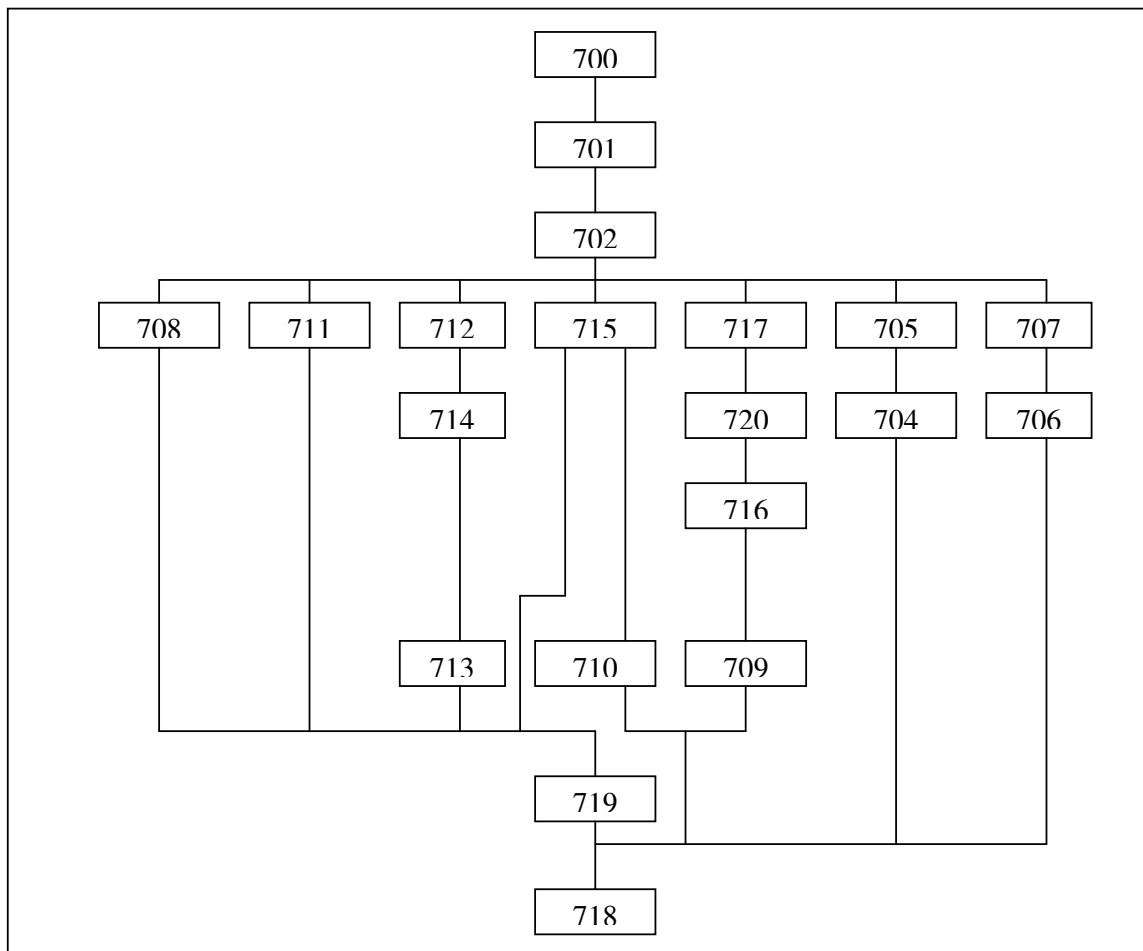
Trench four matrix.



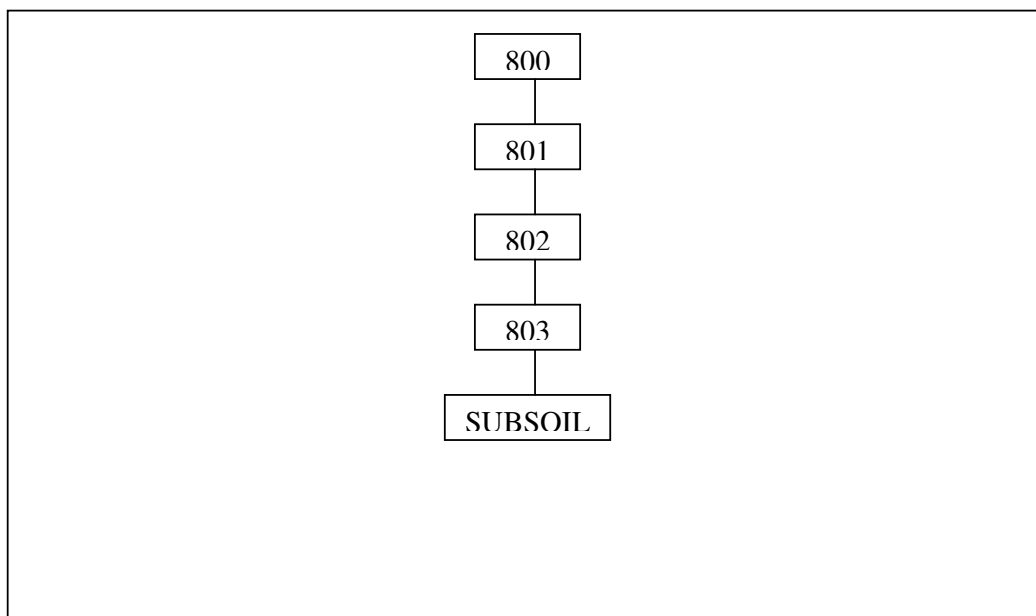
Trench five matrix.



Trench six matrix.

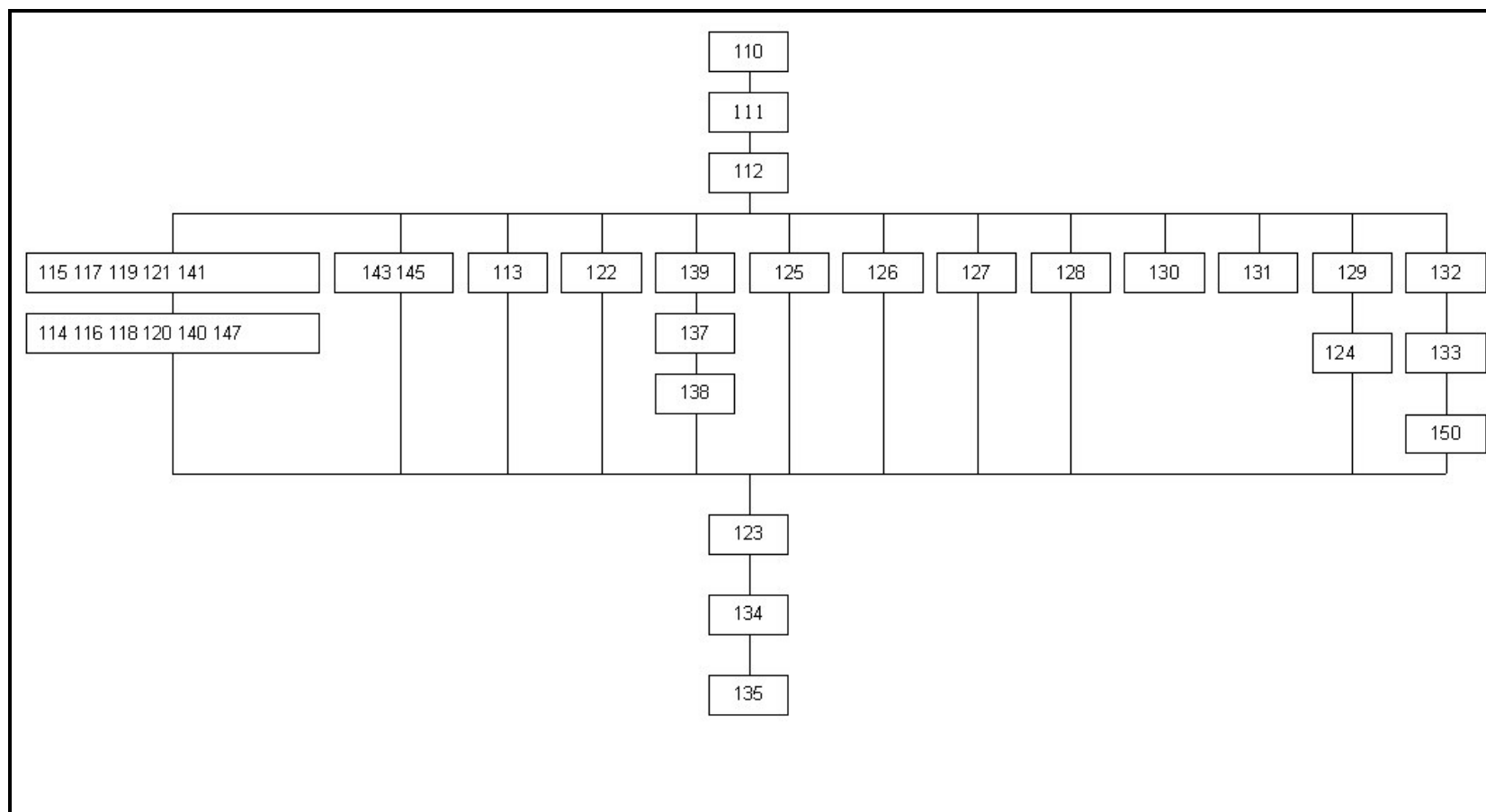


Trench seven matrix.

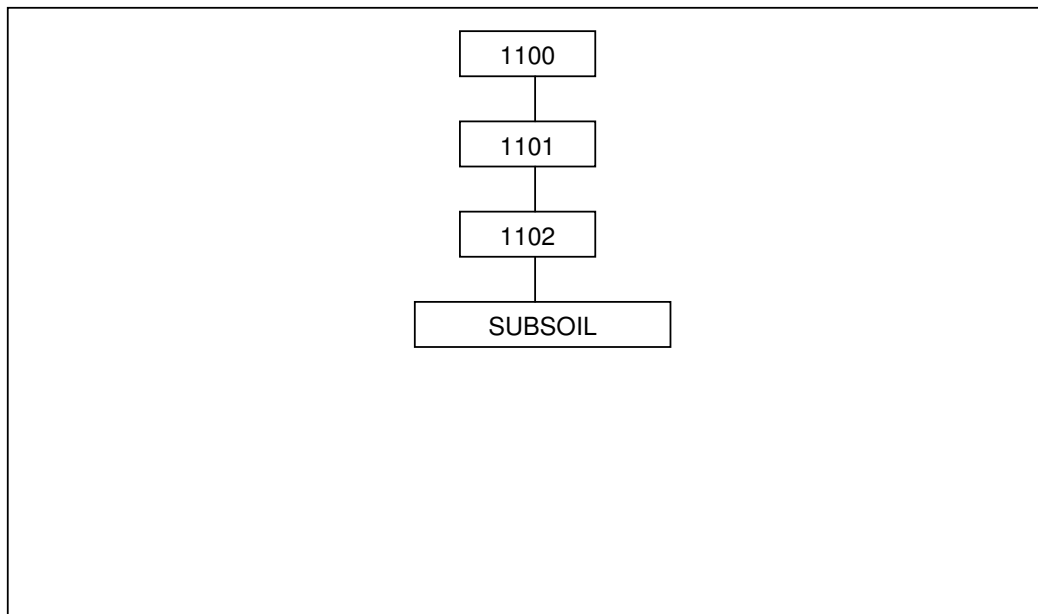


Trench eight matrix.

NB. No matrix included for Trench nine.



Trench 10 matrix.



Trench eleven matrix.

Appendix Three: Photographic Record

Digital Images (duplicate copies in colour slide, colour print and monochrome)

Number	Description
1	Trench One, C106
2	Trench One, C106
3	Trench One, drain
4	Trench One, C106
5	Trench One, C106
6	Trench One, C106
7	Trench One, drain
8	Trench One, drain
9	Trench Four, C402
10	Trench Four, C402
11	Trench Four, C406
12	Trench Four, C408
13	Trench Four, drain
14	Trench Four, pit?
15	Trench Four, C402
16	Trench Four, C406
17	Trench Four, C406
18	Trench Four, 409
19	Trench Four, drain and pit
20	Trench Four, drain and pit
21	Trench Four (general shot)
22	Trench Four (general shot)
23	Trench Five, C502
24	Trench Five, C502
25	Trench Six, C602
26	Trench Six, ceramic drain
27	Trench Six, drain
28	Trench Six, C602
29	Trench Six, C602
30	Trench Six being planned
31	Trench Six, root
32	Trench Six, root
33	Trench Six, root
34	Trench Seven, C702
35	Trench Seven cut feature
36	Trench Seven, section
37	Trench Seven, general shot
38	Trench Seven, general shot
39	Trench Seven, general shot
40	Trench Seven, section
41	Trench Seven, general shot
42	Trench Eight, C802

43	Trench Eight, C802
44	Trench Eight, C802
45	Trench Eight, C802
46	Trench Eight, C802
47	Trench Nine, C901
48	Trench Nine, C902
49	Trench Ten, C111
50	Trench Ten, C112
51	Trench Ten, C112
52	Trench Ten, C112
53	Trench Ten, C112
54	Trench Ten, C112
55	Trench Ten, C135
56	Trench Ten, C135
57	Trench Ten, C135
58	Trench Ten, charcoal concentration
59	Trench Ten, charcoal concentration
60	Trench Ten, charcoal concentration
61	Trench Ten, charcoal concentration
62	Trench Ten, charcoal concentration
63	Trench Ten, C112
64	Trench Ten, general shot
65	Trench Ten, general shot
66	Trench Ten, general shot
67	Trench Ten, schist boulders
68	Trench Ten, schist boulders
69	Trench Ten, C112
70	Trench Ten, C112
71	Trench Eleven, general shot
72	Trench Eleven, general shot
73	Trench Eleven, general shot

Appendix Four: Field Drawing Register.

Drawing	Description	Type	Scale	Date
A	Tr 1 - Western end	Plan	01:20	28.06.02
B	Tr 1 - Western end	Plan	01:20	28.06.02
C	Tr 1 - Western end	Plan	01:20	28.06.02
D	Tr 1 - Eastern end	Plan	01:20	01.07.02
E1	Tr 1 - West facing	Section	01:05	02.07.02
E2	Tr 1 - East facing	Section	01:05	02.07.02
E3	Tr 1 - Cut 104	Plan	01:05	02.07.02
F	Tr 4 - South half	Plan	01:20	02.07.02
G	Tr 4 - North half	Plan	01:20	02.07.02
H	Tr 6 - South half	Plan	01:20	03.07.02
I	Tr 1 - Eastern end	Plan	01:20	04.07.02
J	Tr 6 - North half	Plan	01:20	04.07.02
K	Tr 2	Plan	01:20	05.07.02
L1	Tr 4 - Northeast facing	Section	01:10	05.07.02
L2	Tr 4 - Northwest facing	Section	01:10	08.07.02
L3	Tr 4 -	Section	01:10	09.07.02
M	Tr 4 - Northeast facing	Section	01:10	16.07.02
N	Tr 6 - Southeast facing	Section	01:10	
O	Tr 6 - Grids D4.D5,D6	Plan	01:20	08.07.02
P	Tr 10	Plan	01:20	
Q	Tr 7	Plan	01:20	16.07.02
R	Tr 7 - Southwest facing	Section	01:10	22.07.02
S	Tr 10A	Plan	01:20	25.07.02
T	Tr 10 - Stone setting	Plan	01:10	29.07.02
U	Tr 10 - Southwest facing	Section	01:10	30.07.02
V	Tr 10 - Northeast facing	Section	01:10	31.07.02
W1	Tr 10 - Grids D8,D9,D10, Northwest facing	Section	01:10	31.07.02
W2	Tr 10 - Grid D8, Northeast facing	Section	01:10	31.07.02
W3	Tr 10 - Grid D8, Southwest facing	Section	01:10	31.07.02

Appendix Five: Small Finds Register

Find No.	Material	Object	Trench	Context	Comments
1000	flint	scraper	1	101	
1001	flint		1	100	unworked, 3 pieces
1002	flint	knife piece	1	101	
1003	quartz		1	102	
1004	ceramic	sherds	1	101	modern
1005	stone	misc	1	100	2 pieces
1006	brick		1	100	
1007	glass		1	100	
1008	slate		1	101	
1009	misc stone/slag		1	101	
1010	glass		1	101	
1011	brick		1	101	
1012	ceramic	sherds	1	100	modern
1013	metal		1	101	
1014	quartz		1	101	
1015	slate		1	100	
1016	glass		1	102	
1017	metal		1	102	
1018	ceramic	sherds	1	102	modern
1019	metal		1	100	
1020	quartz		1	100	
1021	ceramic	sherd	1	105	modern
1022	stone	misc	1	105	
1023	quartz		1	105	
1024	ceramic	sherd	1	106	modern
1025	slag		1	100	
1026	ceramic	sherds	fieldwalking		modern
1027	ceramic	sherds	fieldwalking		modern, terracotta
1028	glass		fieldwalking		
1029	ceramic	clay pipe	fieldwalking		1 bowl & 2 stem pieces
1030	glass	bead	fieldwalking		
1031	flint	flake	fieldwalking		
1032	flint	scraper	fieldwalking		hollow scraper
1033	flint		fieldwalking		
1034	flint		fieldwalking		

1035	flint		fieldwalking		
1036	flint		fieldwalking		
1037	quartz		fieldwalking		worked?
1038	flint		River Foyle bank		water rolled
1039	ceramic		River Foyle bank		
2000	ceramic	clay pipe	2	201	bowl & stem piece
2001	glass/glaze?		2	202	
2002	ceramic	clay pipe	2	202	stem x 5 pieces
2003	ceramic	clay pipe	2	200	bowl piece
2004	flint		2	201	2 pieces
2005	ceramic	sherds	2	201	modern
2006	ceramic	sherds	2	202	modern
2007	glass		2	202	
2008	slate		2	200	
2009	brick		2	202	
2010	glass		2	201	
2011	glass		2	200	
2012	brick/ceramic		2	201	
2013	brick		2	200	
2014	metal		2	202	
2015	quartz		2	201	
2016	slate		2	201	
2017	slate		2	202	
2018	quartz		2	202	
2019					unused find number
2020	ceramic	sherds	2	200	modern
2021	quartz		2	200	
3000	flint		3	301	
3001	chert		3	302	
3002	ceramic	sherds	3	301	modern
3003	brick		3	301	
3004	glass		3	301	
3005	quartz		3	301	
3006	slate		3	302	
3007	brick		3	302	
3008	ceramic	clay pipe	3	300	piece of bowl
3009	ceramic	sherds	3	302	modern
3010	metal		3	300	
3011	glass		3	300	
3012	slate		3	300	

3013	metal		3	301	
3014	slag		3	300	
3015	slate		3	301	
3016	ceramic	sherds	3	300	modern
3017	glass		3	302	
3018	metal		3	302	
3019	quartz		3	302	
3020	quartz		3	300	
4000	flint		4	402	
4001	stone	misc	4	402	
4002	quartz	flakes	4	402	flake scatter
4003	ceramic	sherds	4	402	modern
4004	brick		4	402	
4005	metal		4	402	
4006	glass		4	402	
4007	quartz		4	402	
4008	flint		4	402	unworked
4009	stone	hammer stone?	4	406	
4010	quartz		4	411	
4011	quartz		4	410	
4012	glass		4	411	
4013	quartz & metal		4	410	fused together
4014	ceramic	sherd	4	411	modern
Find No.	Material	Object	Trench	Context	Comments
4015	ceramic	sherds	4	410	modern
4016	quartz		4	410	
4017	quartz		4	411	
4018	quartz		4	404	
4019	ceramic	sherds	4	404	modern
4020	quartz		4	404	
4021	quartz		4	404	
4022	stone	hammer stone?	4	402	
4023	quartz		4	413	
5000	quartz		5	502	
5001	glass		5	502	
5002	brick		5	502	
5003	stone	misc	5	502	
5004	ceramic	sherds	5	502	modern
5005	ceramic	clay pipe	5	502	1 piece bowl, 3 pieces stem
5006	slate		5	502	
5007	stone	misc/fossil?	5	502	
6000	ceramic	sherds	6	602	prehistoric, 4 pieces
6001	ceramic	sherd	6	602	prehistoric, 1 piece
6002	flint	flake	6	602	

6003	flint	retouched flake	6	602	
6004	flint		6	602	unworked, 3 pieces
6005	slate		6	602	
6006	ceramic	sherds	6	602	modern
6007	glass		6	602	
6008	quartz		6	602	
6009	brick		6	602	
6010	ceramic	clay pipe	6	602	piece of bowl
6011	metal		6	602	
6012	flint		6	603	worked
6013	glass		6	603	
6014	ceramic	sherds	6	603	modern
6015	brick		6	603	
6016	slag/misc stone		6	603	2 pieces
6017	metal		6	603	
6018	quartz		6	603	
6019	stone	misc	6	603	
6020	metal		6	603	
6021	quartz		6	603	
6022	glass		6	603	
6023	ceramic	sherds	6	603	modern
6024	ceramic	sherds	6	603	modern
6025	quartz		6	603	
6026	quartz		6	603	
6027	ceramic	sherds	6	603	modern
6028	brick		6	603	
6029	quartz		6	603	
6030	quartz		6	603	
6031	slate		6	603	
6032	quartz		6	603	
6033	ceramic	sherds	6	603	modern
6034	plastic	button?	6	603	
6035	quartz		6	603	
6036	ceramic	sherds	6	603	modern
6037	quartz		6	608	
6038	slag		6	603	
7000	quartz		7	702	
7001	ceramic	sherds	7	702	modern
7002	metal		7	702	
7003	glass		7	702	
7004	ceramic	clay pipe	7	702	piece of stem
7005	quartz		7	708	
7006	ceramic	sherds	7	708	modern
7007	glass		7	708	
7008	brick		7	708	
7009	flint		7	708	3 pieces

7010	quartz		7	715	
8000	quartz		8	802	
8001	ceramic	clay pipe	8	802	bowl
8002	ceramic	sherds	8	802	modern
8003	glass		8	802	
8004	metal		8	802	
10000	quartz		10	112	worked
10001	flint	flake	10	112	
10002	flint	point	10	112	
10003	flint	flake	10	112	
10004	flint		10	112	worked
10005	flint	flake	10	112	
10006	flint	flake	10	112	
10007	flint	flake	10	112	
10008	flint	flake	10	112	
10009	quartz		10	112	worked
10010	flint	flake	10	112	
10011	flint	projectile point	10	112	
10012	flint	flake	10	112	
10013	flint		10	112	worked
10014	flint	flake	10	112	found in dry sieve
10015	flint		10	112	worked
10016	flint	flake	10	112	found in dry sieve
10017	flint		10	112	worked
10018	flint	flakes	10	112	
10019	flint	flake	10	112	
10020	flint	flake	10	112	
10021	flint	flake	10	112	
10022	flint	flake	10	112	
10023	flint		10	112	
10024	quartz		10	112	
10025	quartz		10	112	
10026	bone		10	112	burnt, fragment
10027	flint		10	112	
10028	flint	flake	10	112	
10029	flint		10	112	
10030	flint	flake	10	112	
10031	flint	flake	10A	112	
10032	quartz	knife?	10A	112	
10033	flint	flake	10A	112	
10034	flint	flake	10A	112	
10035	flint	flake	10A	112	
10036	flint	flake	10A	112	
10037	flint	flake	10A	112	
10038	flint	projectile point	10A	112	
10039	ceramic	clay pipe	10A	111	broken bowl

10040	flint		10A	112	
10041	flint	flake	10A	112	
10042	flint	flake	10	112	
10043	flint	flake	10	111	
10044	flint	flake	10	111	
10045	stone	hammer stone?	10	111	
10046	ceramic	clay pipe	10	111	piece of bowl
10047	flint	flake	10	112	
10048	flint	flake	10	112	
10049	flint	flake	10	112	
10050	flint	flake	10	112	
10051	flint	flake	10	112	
10052	flint	flake	10	112	
10053	flint	flake	10	112	
10054	flint	flake	10	112	
10055	flint	flake	10	112	
10056	flint		10	112	unworked
10057	flint		10	112	
10058	flint	flake	10	112	
10059	flint	flake	10	112	
10060	flint		10	112	unworked
10061	flint		10A	111	
10062	flint		10A	111	
10063	flint		10A	111	
10064	flint		10A	111	unworked, 2 pieces
10065	quartz		10A	111	
10066	ceramic	sherds	10A	111	modern
10067	brick		10A	111	
10068	slate		10A	111	
10069	metal		10A	111	
10070	glass		10A	111	
10071	quartz		10	134	worked, 2 pieces
10072	quartz		10	134	worked, 1 piece
10073	flint	flake	10	134	
10074	flint	flake	10	134	
10075	flint	flake	10	134	
10076	flint	scraper	10	133	
10077	flint		10	133	
10078	flint	flake	10	112	
10079	bone		10	110/111/112	burnt, fragment
10080	flint	flake	10	112	
10081	flint	flake	10A	112	
10082	quartz		10	133	worked
10083	flint	flake	10	112	
10084	flint	flake	10	112	

10085	quartz	flake	10	112	
10086	flint	flake	10	112	
10087	ceramic	sherds	10	112	modern
10088	brick		10	112	
10089	glass		10	112	
10090	slate		10	112	
10091	quartz		10	112	
10092	quartz		10	112	
10093	quartz		10	112	
10094	quartz		10	112	
10095	quartz		10	112	
10096	quartz		10	112	
10097	quartz		10	112	
10098	quartz		10	112	
10099	quartz		10	112	
10100	quartz		10	112	
10101	quartz		10	112	
10102	quartz		10	112	
10103	quartz		10	112	
10104	quartz		10	112	
10105	quartz		10	112	
10106	quartz		10	112	
10107	quartz		10	112	
10108	quartz		10	112	
10109	quartz		10	112	
10110	quartz		10	112	
10111	quartz		10	112	
10112	quartz		10	112	
10113	quartz		10	112	
10114	quartz		10	112	
10115	quartz		10	112	
10116	quartz		10	112	
10117	quartz		10	112	
10118	quartz		10	112	
10119	quartz		10A	112	
10120	quartz		10A	112	
10121	quartz		10A	112	
10122	quartz		10A	112	
10123	quartz		10A	112	
10124	quartz		10A	112	
10125	quartz		10A	112	
10126	quartz		10A	112	
10127	quartz		10A	112	
10128	quartz		10A	112	
10129	quartz		10A	112	
10130	quartz		10A	112	
10131	quartz		10A	112	
10132	quartz		10A	112	
10133	quartz		10A	112	
10134	quartz		10A	112	

10135	quartz		10A	112	
10136	quartz		10A	112	
10137	ceramic	sherds	10A	112	modern
10138	glass		10A	112	
10139	ceramic	clay pipe	10A	112	2 pieces stem, 1 piece bowl
10140	brick		10A	112	
10141	flint		10A	112	burnt
10142	flint		10A	112	unworked
10143	flint	flake	10A	112	
10144	flint	flake	10A	112	
10145	flint	flake	10A	112	
10146	flint	flake	10A	112	
10147	flint	flake	10A	112	
10148	flint	flake	10A	112	
10149	flint	flake	10A	112	
10150	flint	flake	10A	112	
10151	flint	flake	10A	112	
10152	flint	flake	10A	112	
10153	flint		10A	112	unworked
10154	flint	flake	10A	112	
10155	flint		10A	112	heat shattered
10156	metal		10A	112	
10157	quartz & rock crystal?		10A	112	
10158	flint	flake	10A	112	
10159	?		10A	112	
10160	flint	scraper	10	134	
10161	flint	scraper	10	134	double hollow scraper
10162	flint	flake	10	134	retouched
10163	flint	flake	10	134	
10164	flint	flake	10	134	
10165	chert		10A	112	
10166	flint	flake	10A	112	
10167	flint	flake	10A	112	
10168	flint	flake	10A	112	
10169	flint	flake	10A	112	
10170	flint	flake	10A	112	
10171	flint	scraper	10	112	
10172	flint	scraper	10	112	
10173	flint	flake	10	112	retouched
10174	quartz		10	135	worked
10175	metal - iron		10	112	
10176	flint	flake	10	112	
10177	flint	flake	10	112	
10178	flint	flake	10	112	
10179	flint	flake	10	112	

10180	flint	flake	10	112	
10181	flint	flake	10	112	
10182	flint	flake	10	112	
10183	flint	flake	10	112	
10184	flint	flake	10	135	
10185	quartz	flakes	10	135	3 pieces
10186	quartz		10	112	
10187	quartz	flake	10	112	
10188	quartz		10A	112	
10189	quartz		10	134	
10190	flint	flake	10	133	
10191	flint	flake	10	133	
10192	flint	flake	10	112	
10193	quartz		10	112	
10194	quartz		10	133	
10195	quartz		10	112	
10196	quartz		10	112	
10197	flint	flake	10	139	
10198	flint	flake	10	139	
10199	flint	flake	10A	112	
10200	bone		10A	112	burnt, fragment
10201	flint	flake	10A	112	
10202	flint	flake	10A	112	
10203	quartz		10A	112	
10204	flint	flake	10A	112	
10205	flint	flake	10A	112	
10206	flint	flake	10A	112	
10207	flint	flake	10	112	
10208	flint	flake	10	112	
10209	bone		10	112	burnt, fragments
10210	flint	flake	10	112	
10211	flint	flake	10	112	
10212	flint	flake	10	112	
10213	flint	flake	10	112	
10214	flint	flake	10	112	
10215	flint		10	112	burnt
10216	flint	flake	10	112	burnt
10217	flint	flake	10	112	
10218	flint	flake	10	112	
10219	flint		10	112	unworked
10220	flint	flake	10	112	
10221	quartz		10	112	worked
10222	flint	flake	10	112	
10223	flint	flake	10	112	
10224	flint	flake	10	112	
10225	flint	flake	10	112	
10226	flint	flake	10	112	
10227	quartz		10	112	worked

10228	quartz		10	112	worked
10229	flint	flake	10A	112	
10230	quartz		10	112	worked?
10231	flint	flake	10	112	
10232	quartz	flake	10	112	worked
10233	quartz		10	112	worked
10234	quartz		10	112	worked
10235	quartz		10	112	worked
10236	quartz	flake	10	112	worked
10237	quartz		10	112	worked
10238	flint	flake	10	112	
10239	quartz		10A	112	worked?
10240	quartz		10	112	worked
10241	quartz		10	112	worked
10242	quartz		10	112	
10243	quartz		10	112	
10244	quartz		10	112	
10245	quartz		10	112	
10246	flint	flake	10	112	
10247	quartz		10	112	
10248	quartz		10	112	
10249	flint	flake	10	134	
10250	flint	flake	10	134	
10251	flint	flake	10	134	
10252	flint	flake	10	134	
10253	flint	flake	10	134	
10254	flint	flake	10	134	
10255	flint	flake	10	134	
10256	flint	flake	10	134	
10257	flint	flake	10	134	
10258	flint	flake	10	134	
10259	flint	flake	10	134	
10260	flint	flake	10	134	
10261	flint	flake	10	134	
10262	flint	flake	10	134	
10263	flint	flake	10	134	
10264	quartz	flake	10	134	
10265	ceramic	clay pipe	10	135	bowl piece
10266	flint	flake	10	112	
10267	flint	flake	10	112	
10268	flint	flake	10	112	
10269	flint	flake	10	112	
10270	flint	flake	10	112	
10271	glass		10A	112	
10272	flint		10A	112	burnt
10273	quartz		10A	112	
10274	flint	flake	10	112	
10275	flint	flake	10	112	
10276	flint	flake	10	112	
10277	flint	flake	10	112	

10278	flint	flake	10A	112	
10279	flint	flake	10A	112	
10280	flint	flake	10A	112	
10281	flint	flake	10A	112	
10282	flint	flake	10A	112	
10283	flint	flake	10A	112	
10284	flint	flake		112	
10285	flint	flake		112	
10286	flint	flake		112	
10287	flint	flake		112	
10288	quartz			111	worked?, 2 pieces
10289	flint	flake		112	found in wet sieve
10290	flint	flake		112	found in wet sieve
10291	flint	flake		112	found in wet sieve
10292	flint	flake		112	found in wet sieve
10293	flint	flake		112	found in wet sieve
10294	flint	flake		112	found in dry sieve
10295	flint	flake		112	found in dry sieve
10296	flint	flake		112	found in dry sieve
11000	ceramic	sherds	11	1102	modern
11001	ceramic	clay pipe	11	1102	3 pieces stem, 1 piece bowl
11002	brick		11	1102	
11003	glass		11	1102	
11004	flint		11	1102	
11005	slate		11	1102	
11006	quartz		11	1102	

Appendix Six: Sample Register

Sample No	Trench	Context	Grid
1	4	411	A6
2	4	411	A6
3	4	411	
4	4	411	
5	4	413	
6	4	406	E3
7	6	603	A7
8	6	603	D5
9	6	603	D5
10	6	626	D5
11	6	626	D5
12	6	603	D6
13	6	603	D6
14	6	632	D9
15	7	708	
16	10	112	A1
17	10		A1 & A2
18	10	112	A2
19	10	112	A3
20	10	112	A4
21	10	112	B1
22	10	112	B1
23	10	112	B2
24	10	112	B2
25	10	112	B5
26	10		B7 & B8
27	10		C6 & C7
28	10		D3
29	10		D3
30	10		D4
31	10		D6
32	10	135	D7
33	10	135	D7
34	10	135	D7
35	10		D9
36	10	135	E10
37	10	126	
38	10A	112	F6
39	10A		F6
40	10A	112	F9 & F10
41	10A	112	G6
42	10A	112	G7

43	10A	112	G7
44	10A	112	G8
45	10A	112	G9
46	10A	112	G10
47	10A	112	H6
48	10A	112	H9 & H10
49	10A	112	H10
50	10A	112	I6
51	10A	112	I8
52	10A	112	I9
53	10A	112	I10
54	10A	112	J6
55	10A	112	J9
56	10A	112	J10